

### GP600 Pressure Switch - Pumped Water Systems, Air & LP Hydraulics

Body Material - Brass CW617N - EN12165

Thread - G1/8, ISO228/ISO7 (G1/4 on-request)

Main Body - technopolymer (PET)

Membrane and Sealing - NBR

Protection Degree - IP00

Adjustment - By screw

Rated Impulsive Voltage- 2,5KV

Microswitch - SPDT 10(2)-250VAC

SPST-NC 10-250VAC

SPST-NO 10-250VAC

Electrical Connection- terminal 6,3x0,8mm

Operating Ambient Temperature - T85°C

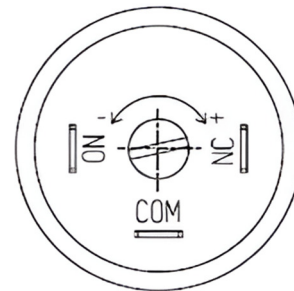
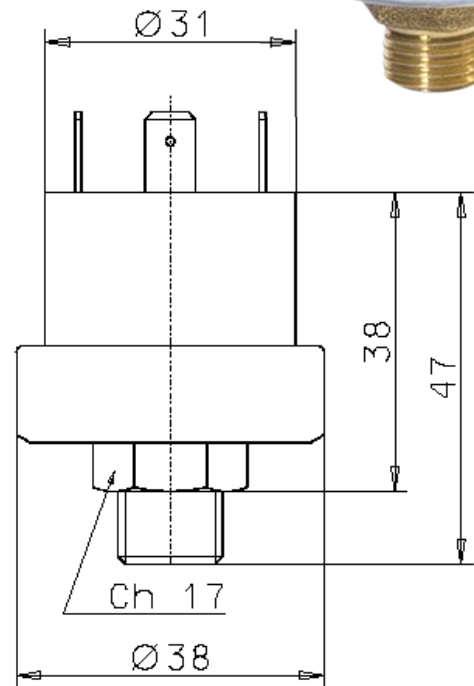
(Heat Resistant Conductors - T110°C)

Burst Pressure - >20 bar

Thermic Drift - 0.04 bar for 10°C with respect to temperature of +20°C

Optional IP45 Protection Boot - REF: A0158100.020

Seal Options - NBR - HNBR - EPDM - Viton - Silicon Rubber



Pressure Connection	Part Number	Adjustable Pressure Range	Fixed Differential Bar	Electrical Data	Weight GM
G 1/8 M	GP73ME31.000	0.2 - 3.0	0.3 ± 0.1	10A x 250V	80
G 1/8 M	GP73NC31.000	0.5 - 3.0	0.4 ± 0.1	10A x 250V	80
G 1/8 M	GP73PE31.000	1.0 - 5.0	0.5 ± 0.15	10A x 250V	80

Homologations: EN60730-1, EN60730-2-6, UL/CSA File E157180

