

GP600 Pressure Switch - Pumped Water Systems, Air & LP Hydraulics

Body Material - Brass CW617N - EN12165

Thread - G1/8, ISO228/ISO7 (G1/4 on-request)

Main Body - technopolymer (PET)

Membrane and Sealing - NBR

Protection Degree - IP00

Adjustment - By screw

Rated Impulsive Voltage- 2,5KV

Microswitch - SPDT 10(2)-250VAC

SPST-NC 10-250VAC

SPST-NO 10-250VAC

Electrical Connection- terminal 6,3x0,8mm

Operating Ambient Temperature - T85°C

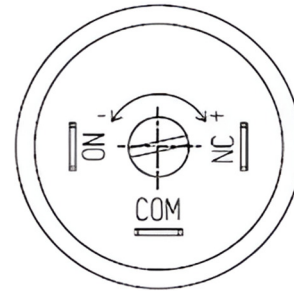
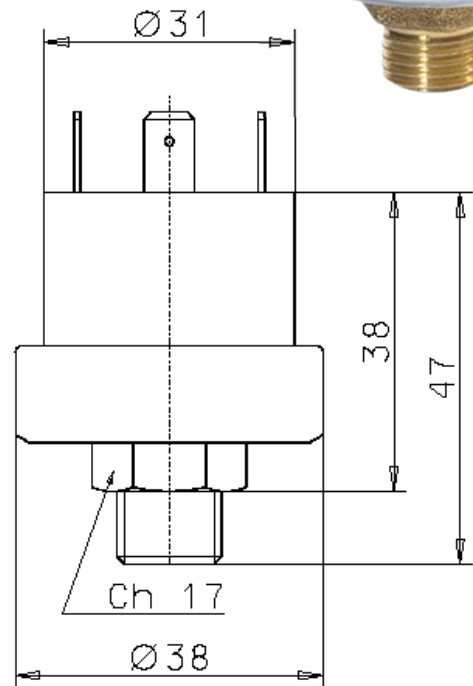
(Heat Resistant Conductors - T110°C)

Burst Pressure - >20 bar

Thermic Drift - 0.04 bar for 10°C with respect to temperature of +20°C

Optional IP45 Protection Boot - REF: A0158100.020

Seal Options - NBR - HNBR - EPDM - Viton - Silicon Rubber



| Pressure Connection | Part Number | Adjustable Pressure Range | Fixed Differential Bar | Electrical Data | Weight GM |
|---------------------|--------------|---------------------------|------------------------|-----------------|-----------|
| G 1/8 M | GP73ME31.000 | 0.2 - 3.0 | 0.3 ± 0.1 | 10A x 250V | 80 |
| G 1/8 M | GP73NE31.000 | 0.5 - 3.0 | 0.4 ± 0.1 | 10A x 250V | 80 |
| G 1/8 M | GP73PE31.000 | 1.0 - 5.0 | 0.5 ± 0.15 | 10A x 250V | 80 |

Homologations: EN60730-1, EN60730-2-6, UL/CSA File E157180

