

IP68 Actuators

ROTARY ACTUATORS IP68 WATERPROOF - PERMANENT IMMERSION

USE

- permanent immersion in the shipbuilding industry
- agricultural and livestock industry
- agricultural and livestock industry
- systems using alternative energy
- automation plants
- water treatment systems
- industrial plants



IP68 Actuator

MAIN CHARACTERISTICS

- **WATERPROOF** - degree of protection: IP68
- connection to the ISO 5211 ball valve
- room temperature: -10°C + 50°C
- sealed housing
- auxiliary limit microswitches
- with cables

DEGREE OF PROTECTION IP68

- total protection against the penetration of solids and dust
- protection in case of permanent immersion in water at 1 m of depth

OPTIONAL

- versions with different operating times
- spacer for insulation and manual opening

TECHNICAL FEATURES		Diamant PRO IP68	Compact PRO IP68	Universal PRO IP68
ELECTRICAL DATA	Power supply	230V 50/60 Hz • 24V 50/60 Hz • 110 V 50/60 Hz		
	Maximum power consumption during operation	7,5 VA	6 VA	13VA
	Power cable	Cable FROR 7G 1 mm ² • Length 1,5 m		
	Auxiliary micro cable	Cable FROR 7G 1 mm ² • Length 1,5 m		
	Auxiliary micro output	1A, resistive		
FUNCTIONAL DATA	Rated torque	11 Nm	22 Nm	40 Nm
	Electric control	2 / 3-point, ALL IN ONE		
	Rotation angle	90° • 180°		
	Operating time (90°)	35 sec	45 sec	55 sec
	Protection degree	IP68		
	Coupling to the ball valve	ISO 5211 - F03/F05	ISO 5211 - F03/F05	ISO 5211 - F05/F07
SAFETY	Operational room temperature	-10°C + + 50°C		
	Storage and transport conditions	- 40°C ÷ +80°C, RH max 95% - no condensation		
	Maintenance	None		
	Certification	CE		



IP68 Actuators

ROTARY ACTUATORS IP68 WATERPROOF - PERMANENT IMMERSION

VERSIONS

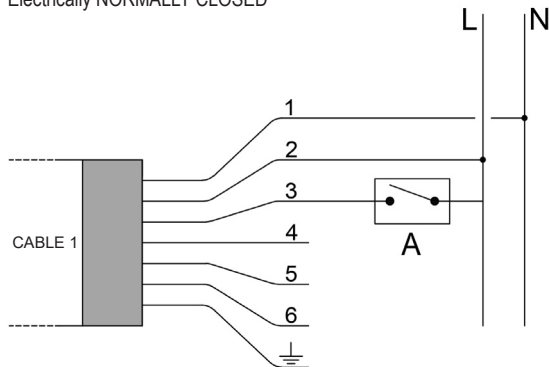
Actuator	Torque	Rotation angle	Operating time	Power supply	Base code
Diamant PRO IP68	11 Nm	90°	35 sec	230V 50/60 Hz	DH2222P
	11 Nm	90°	35 sec	110V 50/60 Hz	DH2122P
	11 Nm	90°	35 sec	24V 50/60 Hz	DH2422P
	11 Nm	180°	70 sec	230V 50/60 Hz	DH3222P
	11 Nm	180°	70 sec	110V 50/60 Hz	DH3122P
	11 Nm	180°	70 sec	24V 50/60 Hz	DH3422P
Compact PRO IP68	22 Nm	90°	45 sec	230V 50/60 Hz	CH2222P
	22 Nm	90°	45 sec	110V 50/60 Hz	CH2122P
	22 Nm	90°	45 sec	24V 50/60 Hz	CH2422P
	22 Nm	180°	90 sec	230V 50/60 Hz	CH3222P
	22 Nm	180°	90 sec	110V 50/60 Hz	CH3122P
	22 Nm	180°	90 sec	24V 50/60 Hz	CH3422P
Universal PRO IP68	40 Nm	90°	55 sec	230V 50 Hz *	UH2222P
	40 Nm	90°	55 sec	110V 50 Hz *	UH2122P
	40 Nm	90°	55 sec	24V 50 Hz *	UH2422P
	40 Nm	180°	110 sec	230V 50 Hz *	UH3222P
	40 Nm	180°	110 sec	110V 50 Hz *	UH3122P
	40 Nm	180°	110 sec	24V 50 Hz *	UH3422P

* 60 Hz on request.

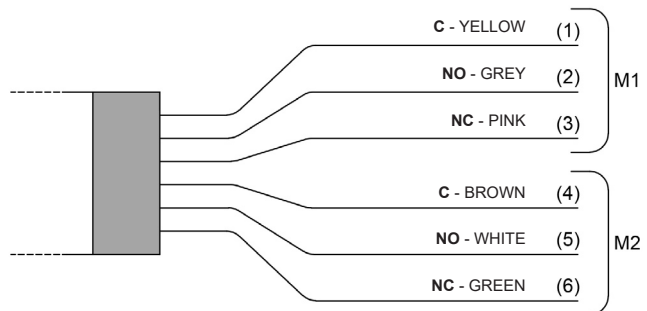
ELECTRICAL CONNECTIONS

2-POINT CONNECTION

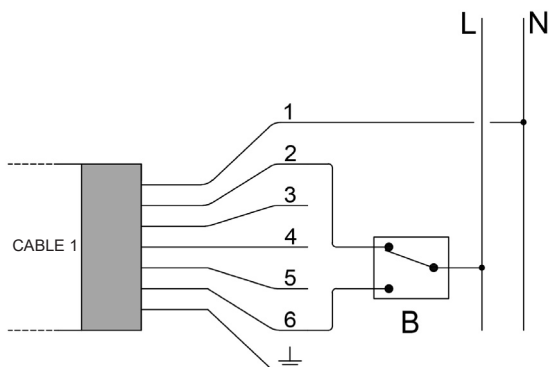
Electrically NORMALLY CLOSED



AUXILIARY MICROSWITCHES CONNECTION



3-POINT CONNECTION



- A SWITCH control
- B DEVIATOR control

- NO Normally open
- NC Normally closed
- M1 Opening auxiliary micro
- M2 Closing auxiliary micro

1. Neutral
2. Closing phase
3. Opening phase (2 POINTS)
4. Outlet phase with open valve
5. Outlet phase with closed valve
6. Opening phase (3 POINTS)

CAUTION



Always waterproof terminations and sheaths in order to prevent the passage of air through the cables.



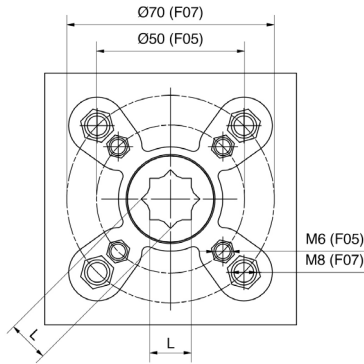
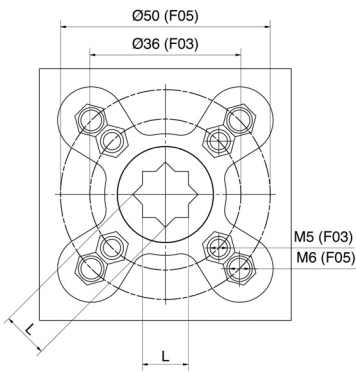
IP68 Actuators

ROTARY ACTUATORS IP68 WATERPROOF - PERMANENT IMMERSION

CONNECTIONS TO THE BALL VALVE

Diamant PRO IP68 Compact PRO IP68

Universal PRO IP68



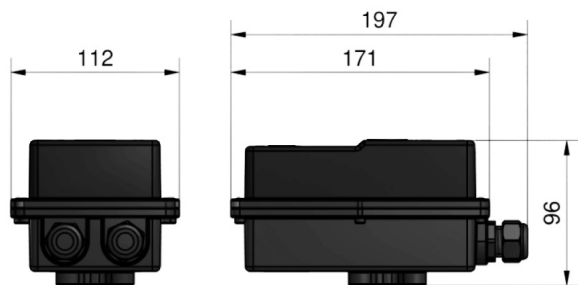
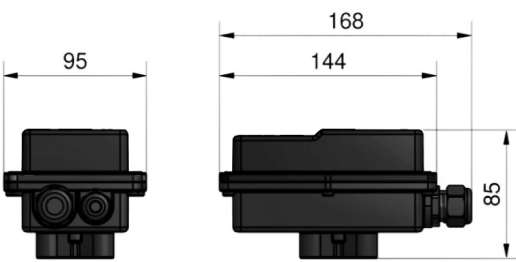
ISO Connection	L
F03	9 mm
F05	11 mm

ISO Connection	L
F05	11 mm
F07	14 mm

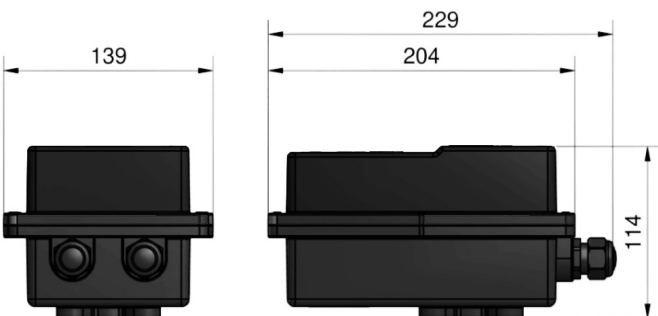
OVERALL SIZE

Diamant PRO IP68

Compact PRO IP68

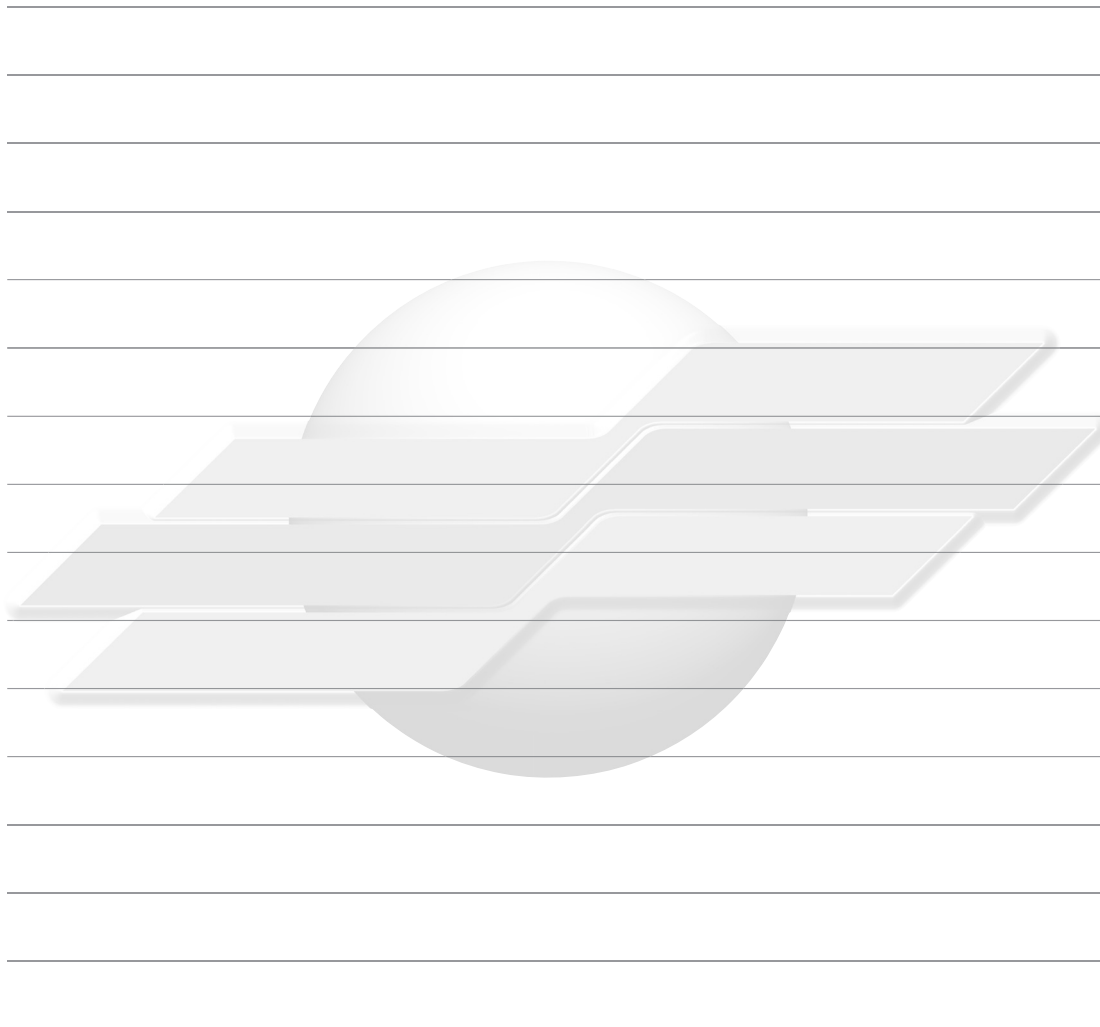


Universal PRO IP68



IP68 Actuators

ROTARY ACTUATORS IP68 WATERPROOF - PERMANENT IMMERSION



comparato.com

EXAMPLE OF SPECIFICATIONS

DIAMANT PRO IP68 ACTUATOR • ALL IN ONE, 2-point ON/OFF and 3-point ON/OFF or modulating, nominal torque: 11 Nm, power supply: 230V– 50/60 Hz, 2 auxiliary micros, operating time: 35 sec / 90°, operating angle: 90°, degree of protection: IP68 - waterproof, sealed housing, cable length 1,5 m, for ball valve: 2-way, 3-way and by-pass, connection to the ball valve: ISO 5211 F03 - F05.

Brand: **COMPARATO**

Code: **DH2222P**

UPDATED DATA SHEETS AVAILABLE AT www.comparato.com

In order to provide an up-to-date service, Comparato Nello S.r.l. reserves the right to modify technical data, drawings, graphs and photos of this data sheet at any time, without prior notice.

BIM
BUILDING
INFORMATION
MODELING



HYDROTHERMAL SYSTEMS
COMPARATO NELLO s.r.l.

17014 CAIRO MONTENOTTE (SV) ITALIA VIALE DELLA LIBERTÀ • LOCALITÀ FERRANIA • Tel. +39 019 510.371 - FAX +39 019 517.102

www.comparato.com

e-mail: info@comparato.com

UNI EN ISO 9001:2015 CERTIFIED COMPANY