

D-160/S-160 - Pneumatically Actuated 2 Way Brass Ball Valve



HP Series Actuators:

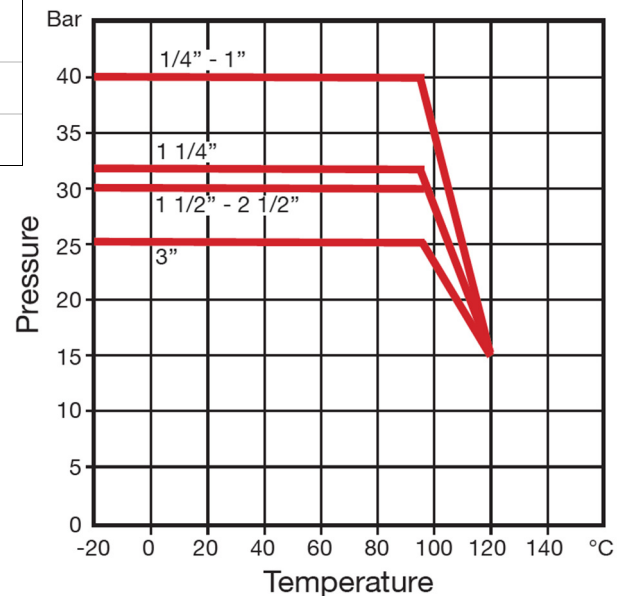
Pneumatic Rack and Pinion Actuators

D-160 - Double Acting

S-160 - Spring Return

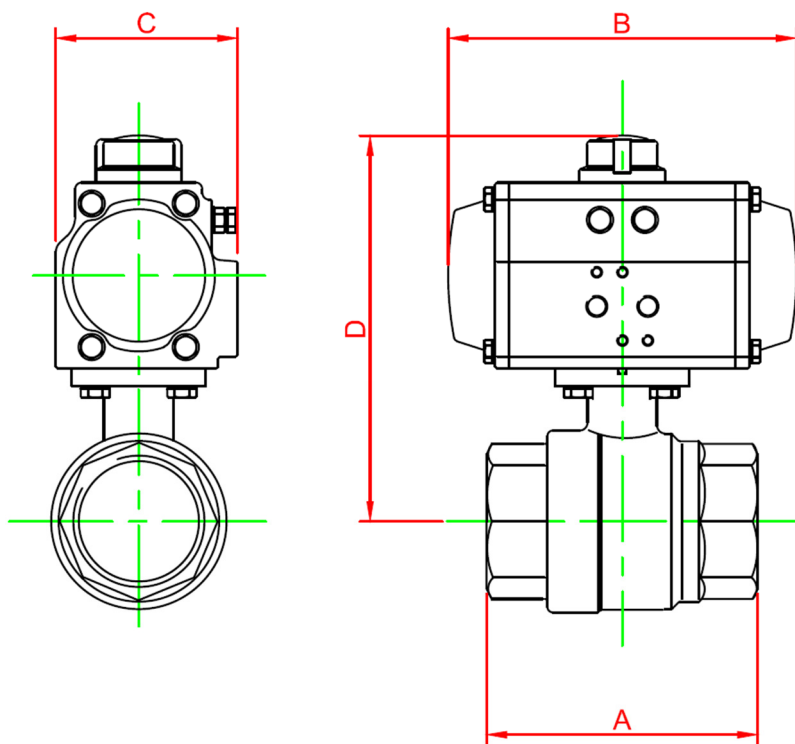
Actuator Specification		Valve Specification	
Type	Pneumatic - Rack and Pinion	Body	Chrome Plated Brass CW617N
Working Pressure	2.5 to 8 Bar	Seats	PTFE
Air Supply	Air or non-corrosive gas (ie. Nitrogen)	Seals	PTFE / Viton
Working Temp	From -20°C to +80°C (+35°C to +80°C & -20°C to +150°C on-request)	Connection	Screwed BSP Taper
Rotation	Anti-clockwise opening (reversible by inverting pistons)	Maximum Pressure	1/4" - 1" - 40 Bar
Movement	Rotation 90° (Adjustable ±5° each end of stroke)		1 1/4" - 32 Bar
Body	Hard Anodized Aluminium		1 1/2" - 2 1/2" - 30 Bar
End Caps	Polyester coated Diecast Aluminium		3" - 25 Bar
Pistons	Diecast Aluminium	Valve Operating Temperature	-20°C to +120°C
Pinion shaft	Nickel plated Alloy Steel	Ambient Temperature	-10°C to +50°C
Piston Guides	PPGF (self-lubricating)	Bore	Full Bore
Seal Options	NBR (Viton available on request)		
Types:	D-160 = Double Acting S-160 = Spring Return Actuators can be converted by adding or removing springs		
Travel Stops	+/- 5° at the end of each stroke		
Certification	SIL2, ATEX, PED, CE, RINA (Marine)		

Pressure / Temperature:



Subject to alteration without notice. Uncontrolled Copy, not subject to automatic updates

D-160/S-160 - Pneumatically Actuated 2 Way Brass Ball Valve



Size	Actuator Model		Air Volume/Stroke (Litres)		Dimensions						
	Double Acting	Spring Return	Double Acting	Spring Return	A	B		C		D	
						DA	SR	DA	SR	DA	SR
1/4" (6mm)	HP50D	HP50S	0.3	0.1	64	144		72		122	
3/8" (10mm)	HP50D	HP50S	0.3	0.1	64	144		72		122	
1/2" (15mm)	HP50D	HP50S	0.3	0.1	64	144		72		122	
3/4" (20mm)	HP50D	HP50S	0.3	0.1	76	144		72		125	
1" (25mm)	HP50D	HP50S	0.3	0.1	88	144		72		129	
1 1/4" (32mm)	HP50D	HP50S	0.3	0.1	96	144		72		134	
1 1/2" (40mm)	HP50D	HP63S	0.3	0.2	103	144	163	72	85	150	164
2" (50mm)	HP50D	HP63S	0.3	0.2	121	144	163	72	85	157	171
2 1/2" (65mm)	HP63D	HP66S	0.5	0.2	165	163	202	85	85	197	
3" (80mm)	HP63D	HP66S	0.5	0.2	188	163	202	85	85	207	

Operating time: <1 second (HP66S opening time = 1 second)

Note: Actuator model specification is based on air supply of 5.5 Bar to the actuator

HP Series Standard Accessories

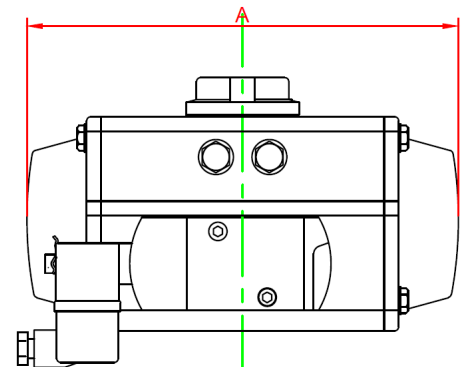
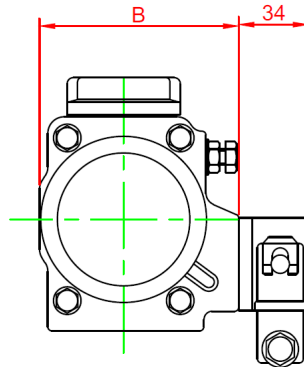
HP-50 > HP-200

NAMUR Solenoid Valve

The HP series Actuators feature a VDI/VDE 3845 interface enabling the use of a Namur Solenoid Valve.

Features:

- 5/2 (Double Acting) 3/2 (Spring Return)
- 1/4" BSP inlet ports
- 1/8" BSP exhaust ports
- Screwdriver Override
- IP65 and SIL4 Rated
- Available in all standard voltages

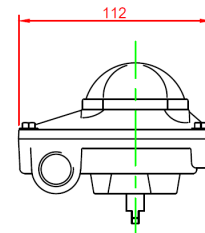
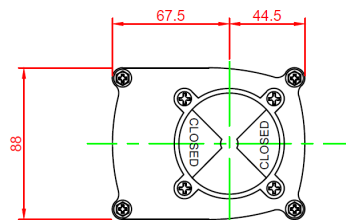
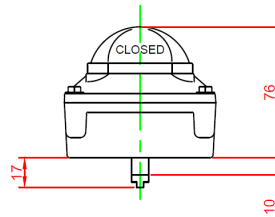
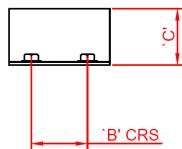
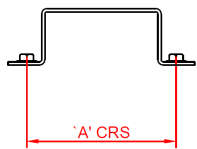


Specification	Actuator	Solenoid	Model	50	63	66	75	88	100	115	125	145	160	180	200
Pressure	3 to 8 Bar	2 to 8 Bar	A	144	163	202	210	247	268	316	347	414	467	497	555
Temperature	-20°C to +80°C	-25°C to +60°C	B	72	85	85	96	108	123	141	151	172	190	206	227

Switch Box

For open and closed position feedback a switch box can be fitted to the VDI/VDE 3845 NAMUR interface using a stainless steel mounting bracket:

Bracket	A	B	C	Application
MBP-100	80	30	30	80 x 30 x 20
MBP-200	80	30	40	80 x 30 x 30
MBP-300	130	30	40	130 x 30 x 30
MBP-400	130	30	60	130 x 30 x 50



For potentially explosive environments, an ATEX explosion proof or intrinsically safe Solenoid Valve can be provided.



Switch Box Specification

Enclosure	IP67 Die Cast Aluminium IP67 (IP68 option available)
Finish	Polyester Powder Coating
Shaft Material	Stainless Steel
Cable Entries	2 x M20 (PH13.5 & 1/2" NPT also available)
Limit Switch Type	2 x SPDT, Mechanical (Gold Contacts available)
Voltage/Amps	250V AC/16A, 125V AC/16A, 250VDC/0.3A, 125VDC/0.6A, 30VDC/10A
Ambient Temp	-20°C to +80°C
Beacon Indicator	2 way (3 way indication option available)
Options	ATEX certification, inductive Sensors

