

D-987/S-987 - Pneumatically Actuated 3 Way Stainless Steel Ball Valve D-988/S-988



Assembly Model:

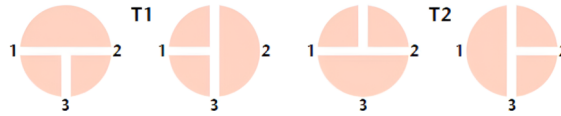
D-987 - T-port Double Acting | D-988 - L-port Double Acting

S-987 - T-port Spring Return | S-988 - L-port Spring Return

T-port valves provide flow straight through the valve

i.e. 1 > 2 or 2 > 1. When operated flow is diverted to either 1 > 3 / 3 > 1 or 2 > 3 / 3 > 2

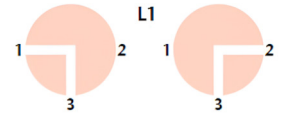
D-987 / S-987



L-port valves are used for diverting or mixing applications.

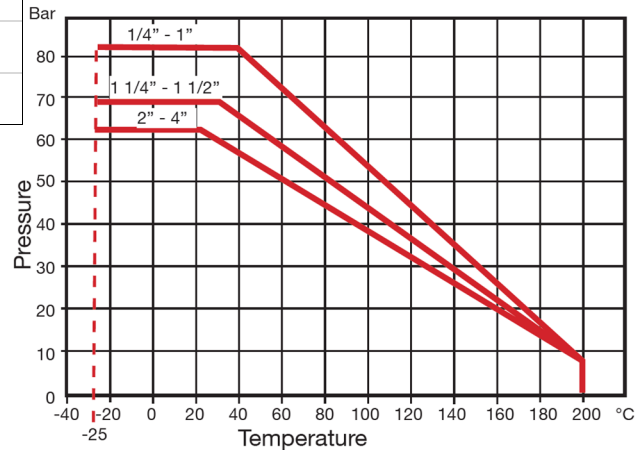
i.e. 1 > 3 / 3 > 1 or 2 > 3 / 3 > 2

D-988 / S-988

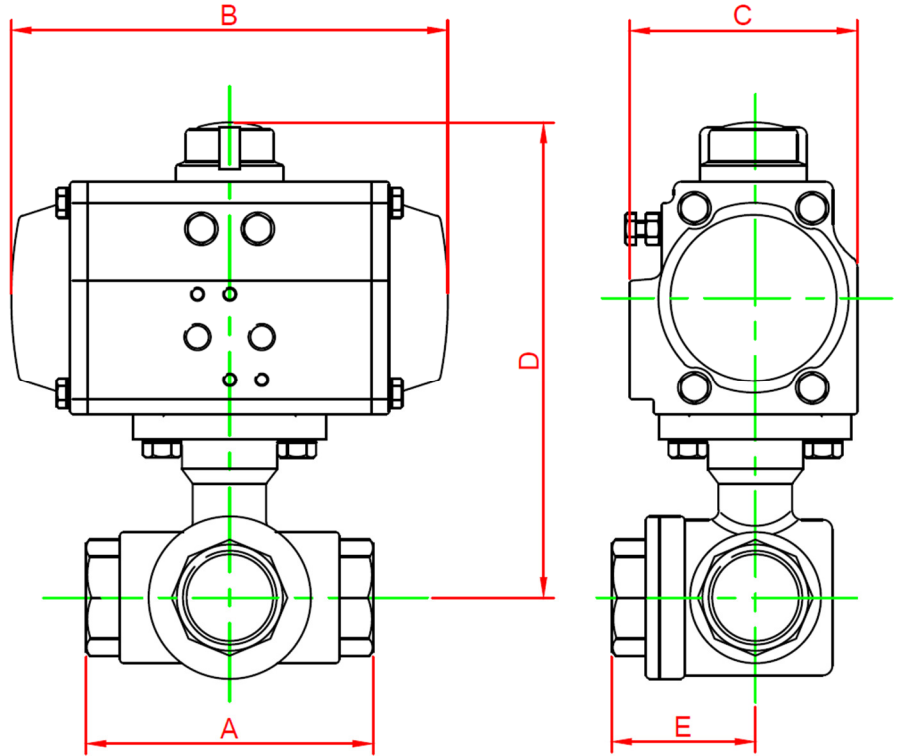


| Actuator Specification | | Valve Specification | |
|------------------------|--|-----------------------------|--|
| Type | Pneumatic - Rack and Pinion | Body | Stainless Steel |
| Working Pressure | 2.5 to 8 Bar | Seats | RPTFE (15%) |
| Air Supply | Air or non-corrosive gas (ie. Nitrogen) | Seals | PTFE / Viton |
| Working Temp | From -20°C to +80°C (+35°C to +80°C & -20°C to +150°C on-request) | Connection | Screwed BSP Taper |
| Rotation | Anti-clockwise opening (reversible by inverting pistons) | Maximum Pressure | 1/4" - 1" - 82 Bar 1 1/4" - 1 1/2" - 69 Bar 2" - 4" - 62 Bar |
| Movement | Rotation 90° (Adjustable ±5° each end of stroke) | Valve Operating Temperature | -25°C to +200°C |
| Body | Hard Anodized Aluminium | Ambient Temperature | -10°C to +50°C |
| End Caps | Polyester coated Diecast Aluminium | | |
| Pistons | Diecast Aluminium | | |
| Pinion shaft | Nickel plated Alloy Steel | | |
| Piston Guides | PPGF (self-lubricating) | | |
| Seal Options | NBR (Viton available on request) | | |
| Types: | D-987/D-988 = Double Acting S-987/S-988 = Spring Return Actuators can be converted by adding or removing springs | | |
| Travel Stops | +/- 5° at the end of each stroke | | |
| Certification | SIL2, ATEX, PED, CE, RINA (Marine) | | |

Pressure / Temperature:



D-987/S-987 - Pneumatically Actuated 2 Way Stainless Steel Ball Valve D-988/S-988



| Size | Actuator Model | | Operating time at 6 Bar (s) | | | Air Volume/Stroke (Litres) | | Dimensions | | | | | | | |
|---------------|----------------|---------------|-----------------------------|---------------|---------|----------------------------|---------------|------------|-----|-----|-----|-----|-----|-----|------|
| | Double Acting | Spring Return | Double Acting | Spring Return | | Double Acting | Spring Return | A | B | | C | | D | | E |
| | | | | Opening | Closing | | | | DA | SR | DA | SR | DA | SR | |
| 1/4" (6mm) | HP50D | HP50S | <1 | <1 | <1 | 0.3 | 0.1 | 75 | 144 | | 72 | | 130 | | 37.5 |
| 1/2" (15mm) | HP50D | HP50S | <1 | <1 | <1 | 0.3 | 0.1 | 75 | 144 | | 72 | | 130 | | 37.5 |
| 3/4" (20mm) | HP50D | HP63S | <1 | <1 | <1 | 0.3 | 0.2 | 85 | 144 | 163 | 72 | 85 | 134 | 148 | 42.5 |
| 1" (25mm) | HP63D | HP66S | <1 | 1 | <1 | 0.5 | 0.2 | 100 | 163 | 202 | 85 | | 154 | 154 | 50 |
| 1 1/4" (32mm) | HP63D | HP75S | <1 | 1 | 1 | 0.5 | 0.3 | 122 | 163 | 210 | 85 | 96 | 163 | 180 | 61 |
| 1 1/2" (40mm) | HP66D | HP88S | <1 | 1 | 1 | 0.5 | 0.5 | 131 | 202 | 247 | 85 | 108 | 167 | 196 | 65.5 |
| 2" (50mm) | HP75D | HP100S | <1 | 1 | 1 | 0.8 | 0.7 | 158 | 210 | 268 | 96 | 123 | 195 | 219 | 79 |
| 2 1/2" (65mm) | HP88D | HP100S | <1 | 1 | 1 | 1.3 | 0.7 | 178 | 247 | 268 | 108 | 123 | 232 | 144 | 89 |
| 3" (80mm) | HP100D | HP115S | <1 | 1.5 | 1.5 | 1.8 | 1.2 | 202 | 268 | 347 | 123 | 141 | 254 | 272 | 101 |
| 4" (100mm) | HP115D | HP125S | 1 | 3 | 2 | 3.0 | 1.5 | 246 | 316 | 347 | 141 | 151 | 285 | 308 | 123 |

Note: Actuator model specification is based on air supply of 5.5 Bar to the actuator

HP Series Standard Accessories

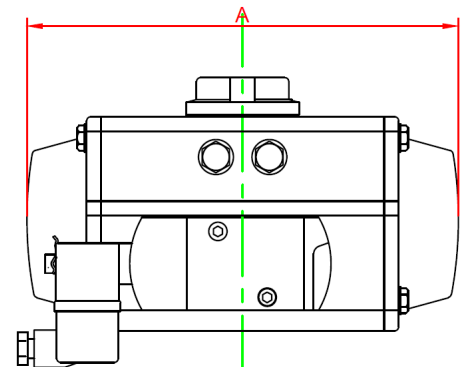
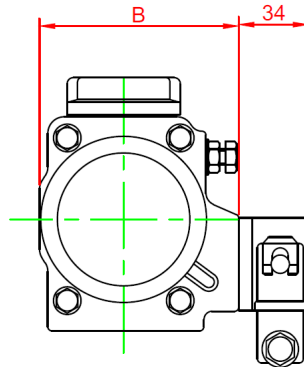
HP-50 > HP-200

NAMUR Solenoid Valve

The HP series Actuators feature a VDI/VDE 3845 interface enabling the use of a Namur Solenoid Valve.

Features:

- 5/2 (Double Acting) 3/2 (Spring Return)
- 1/4" BSP inlet ports
- 1/8" BSP exhaust ports
- Screwdriver Override
- IP65 and SIL4 Rated
- Available in all standard voltages

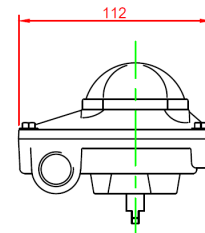
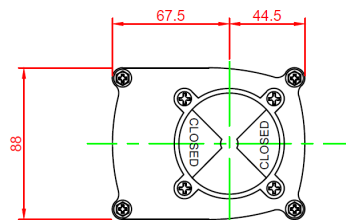
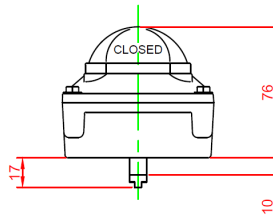
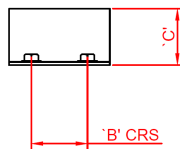
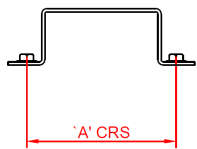


| Specification | Actuator | Solenoid | Model | 50 | 63 | 66 | 75 | 88 | 100 | 115 | 125 | 145 | 160 | 180 | 200 |
|---------------|----------------|----------------|-------|-----|-----|-----|-----|-----|-----|-----|-----|-----|-----|-----|-----|
| Pressure | 3 to 8 Bar | 2 to 8 Bar | A | 144 | 163 | 202 | 210 | 247 | 268 | 316 | 347 | 414 | 467 | 497 | 555 |
| Temperature | -20°C to +80°C | -25°C to +60°C | B | 72 | 85 | 85 | 96 | 108 | 123 | 141 | 151 | 172 | 190 | 206 | 227 |

Switch Box

For open and closed position feedback a switch box can be fitted to the VDI/VDE 3845 NAMUR interface using a stainless steel mounting bracket:

| Bracket | A | B | C | Application |
|---------|-----|----|----|---------------|
| MBP-100 | 80 | 30 | 30 | 80 x 30 x 20 |
| MBP-200 | 80 | 30 | 40 | 80 x 30 x 30 |
| MBP-300 | 130 | 30 | 40 | 130 x 30 x 30 |
| MBP-400 | 130 | 30 | 60 | 130 x 30 x 50 |



For potentially explosive environments, an ATEX explosion proof or intrinsically safe Solenoid Valve can be provided.



| Switch Box Specification | |
|--------------------------|---|
| Enclosure | IP67 Die Cast Aluminium IP67 (IP68 option available) |
| Finish | Polyester Powder Coating |
| Shaft Material | Stainless Steel |
| Cable Entries | 2 x M20 (PH13.5 & 1/2" NPT also available) |
| Limit Switch Type | 2 x SPDT, Mechanical (Gold Contacts available) |
| Voltage/Amps | 250V AC/16A, 125V AC/16A, 250VDC/0.3A, 125VDC/0.6A, 30VDC/10A |
| Ambient Temp | -20°C to +80°C |
| Beacon Indicator | 2 way (3 way indication option available) |
| Options | ATEX certification, inductive Sensors |

