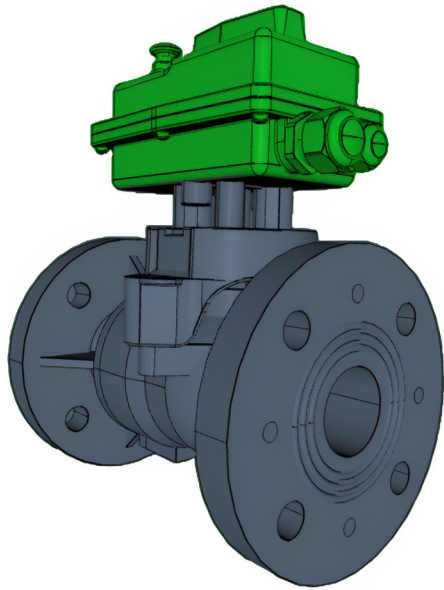


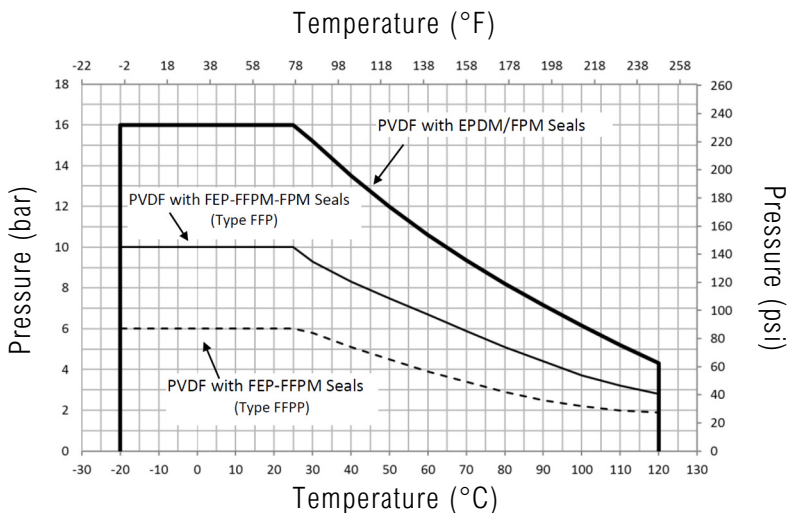
### E2059 - Electrically Actuated 2 Way PVC-U Flanged Ball Valve



Valve Features and Specification	
Body	PVC-U
Seat	PTFE
Seal Options	EPDM Food Grade Acetic EPDM FPM/FKM FEP+FPM+FFPM FEP+FFPM
Flange Options	EN-1092-1/PN16 (DIN) EN1759-1/ASME B16.5 Class 150 (ANSI)
Bore	Full Bore
Operating Temperature:	-20°C to +120°C

Actuator Specification	
Enclosure	Weatherproof IP67 (glass-reinforced polyacrylamide techno-polymer)
Operating Ambient Temperature	-10°C to +50°C
Control Options	2 point or 3 point control
Micro-switches	2x feedback micro switches
Electrical Connection	2 cable gland electrical entries
Power Supply	12v DC, 24v AC/DC, 110v AC, 230v AC
Options:	Fast and slow operating speeds available WIFI configurable SMART actuator Positioning Actuator Fail safe super-capacitor Anti-condensation heater Manual override (AC only)

#### Pressure / Temperature:

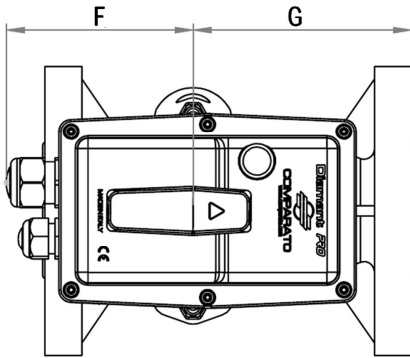
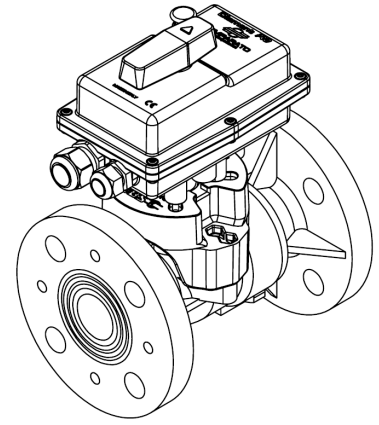
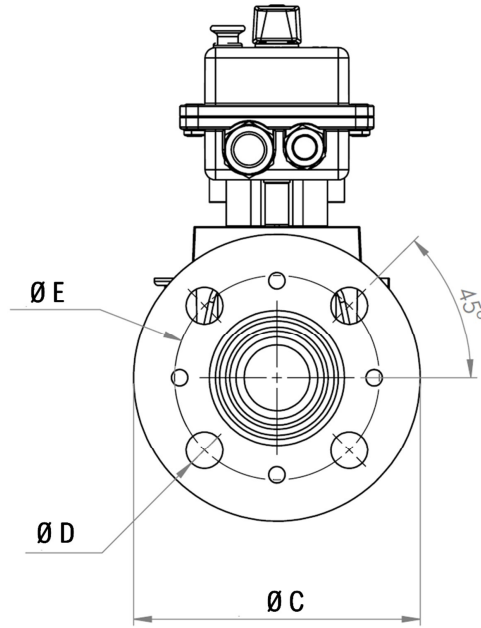
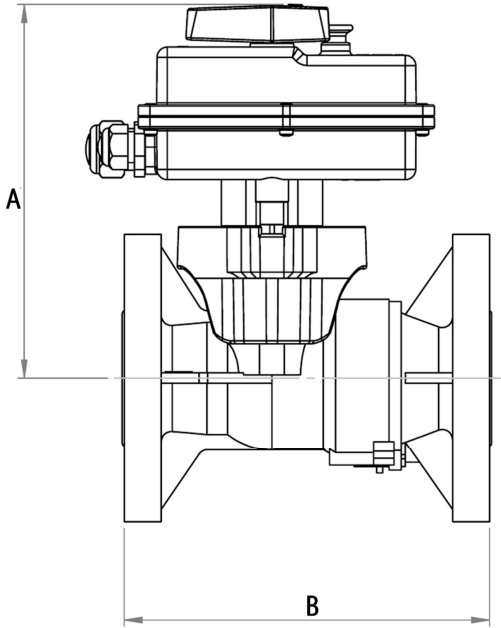


#### Additional Options Available on-request:

- Flow regulation plate (Material = PVDF)
- Thermal Insulation Extension

## Dimensions

## E2059 - Electrically Actuated 2 Way PVC-U Ball Valve



### Operating Speeds:

Diamant Pro AC: 35 seconds

Diamant Pro DC: 12 seconds

Compact Pro AC : 45 seconds

Compact Pro DC: 30 seconds

For faster operating speeds please contact us.

Actuator	Diamant Pro		Compact Pro	
DN	40	1½"	50	2"
A (AC)	188.81		208.86	
A (DC)	206.81		212.86	
B	200		230	
ØC	150		165	
ØD	16		18	
ØE	110		125	
F	90.7		99	
G	116		131	

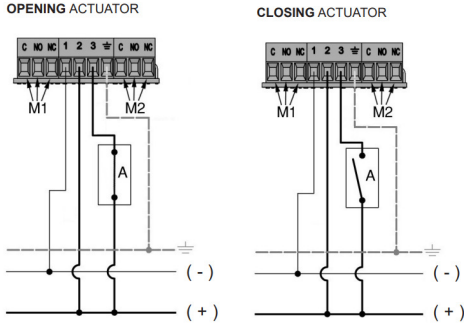
Dimensions in mm

#### Actuator Wiring Information:

#### DC Actuator

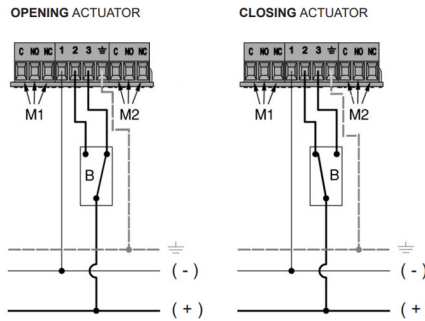
##### 2 Point Control - On/Off (Switch)

The voltage on terminal 3 can be supplied by means of a switch.  
One electric control can activate several actuators.



##### 3 Point Control - On/Off (Changeover)

Voltage should be diverted to terminal 2 or 3.  
Each actuator must be operated by a single electric control.



- 1 - Negative (-)
- 2 - Closing control (+)
- 3 - Opening control (+)
- M1 - Opening auxiliary micro
- M2 - Closing auxiliary micro

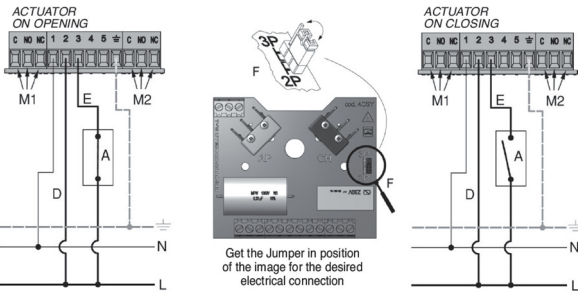
- B - Deviator-type control
- ⊕ - Earth

If powered by alternating current  
(-) = Neutral  
(+) = Phase

#### AC Actuator

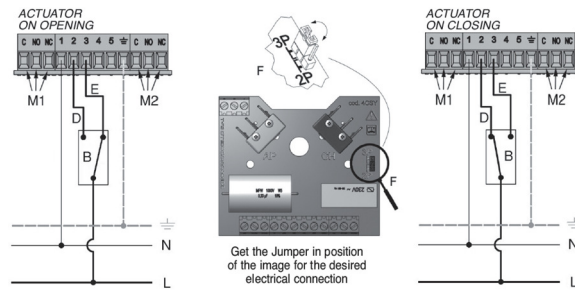
##### 2 Point Control - On/Off (Switch)

Terminal 1: neutral;  
Terminal 2: fixed closing phase  
Terminal 3: opening phase  
The phase to terminal 3 can be supplied by means of a switch.  
One electric control can activate several actuators.



##### 3 Point Control - On/Off (Changeover)

Terminal 1: neutral; Terminal 2: closing phase;  
Terminal 3: opening phase  
Phase shall be diverted to terminal 2 or terminal 3  
Each actuator must be operated by a single electric control



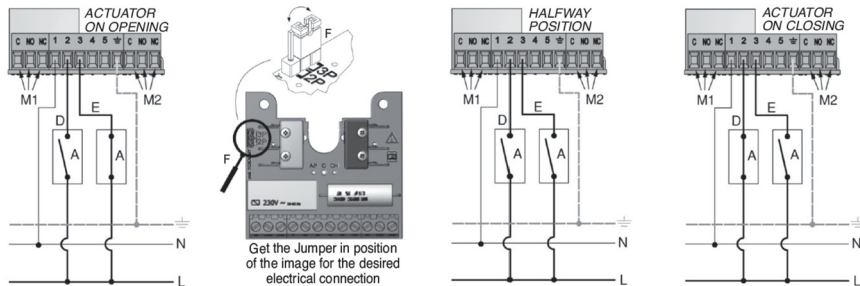
- KEY:
- 1 - Neutral
  - 2 - Closing phase
  - 3 - Opening phase
  - 4 - Outlet opening phase
  - 5 - Outlet closing phase

- B - Switch-type control
- D - Closing
- E - Opening
- F - Jumper
- ⊕ - Earth

##### 3 Point Control - Modulating (2 Switches)

Terminal 1: neutral;  
Terminal 2: fixed closing phase  
Terminal 3: opening phase

The phase can be diverted to terminal 2, terminal 3 or to none of them, in order to obtain partial openings of the valve.



This is necessary for modulating the flow when a regulation is needed. Each actuator must be operated by a single electric control

- KEY:
- 1 - Neutral
  - 2 - Closing phase
  - 3 - Opening phase
  - 4 - Outlet opening phase
  - 5 - Outlet closing phase

- A - Switch-type control
- D - Closing
- E - Opening
- F - Jumper
- ⊕ - Earth

- OPTIONAL
- C - Common
  - NO - Normally open
  - NC - Normally closed
  - M1 - Opening additional microswitch
  - M2 - Closing additional microswitch

##### Optional Auxiliary Microswitches:

