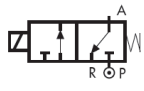


B397 Series, General Purpose – 3/2 Normally Closed

Specifications	
Function (single acting)	 <p>Flow direction underseat 2 → 1</p>
Maximum Viscosity	Max. 21cST (3 °E)
Body Material (Std)	Low lead content Brass CW719R (EN 12165)
Orifice Material	Stainless Steel 1.4305 EN 10088 (AISI 303)
Tube	Stainless Steel AISI 304
Flange	Stainless Steel 1.4305 EN 10088 (AISI 303)
Plunger	Stainless Steel 1.4105 EN 10088 (AISI 430F) or equivalent
Top Stop	Stainless Steel 1.4105 EN 10088 (AISI 430F)
Springs	Stainless Steel AISI 302
Seal Material (Std)	Foodgrade FKM
Connection Type (Std)	G parallel thread (ISO 228-1)
Shading Ring	Copper
Electrical Characteristics	
Standard Coil Voltage DC (=)	24 V
Standard Coil Voltage AC 50 Hz (-)	24 V, 110 V, 200 V, 230 V
Standard Coil Voltage AC 60 Hz (-)	24 V, 120 V, 220 V, 240 V
Voltage Tolerance	+10% to -15% (AC)
	+10% to -5% (DC)
Duty Cycle	100% ED
Protection Class	IP65 (EN 60529) with plug and gasket correctly fitted *
Electrical Connection	to industrial form B
Coil Insulation	Class F 155 °C
Power Rating (Standard)	AC 10 VA (holding) AC 16 VA (inrush) DC 7 W

Features and Benefits

- Direct Acting
- Robust construction for industrial applications
- Zero pressure rated
- Stainless steel AISI 430F operators with low residual magnetism
- Coils tested 100% in compliance to RoHS directive and to relevant international standards
- Choice of high quality seal materials
- Valve suitable for contact with food media as per the EEC Directives and Regulations. Please consult supplier for more details
- Response time 5 to 25 ms



Pipe Size	Cv (gpm)	Kv (m ³ /h)	OPD (bar)		Orifice (mm)	Seal Material	Valve Code
			AC Voltages	DC Voltages			
1/8"	0.04	0.03	0 - 18	0 - 18	1.0	FKM	B397CVA
						EPDM	B397CEA
1/8"	0.05	0.04	0 - 15	0 - 15	1.2	FKM	B397CVB
						EPDM	B397CEB
1/8"	0.07	0.06	0 - 10	0 - 10	1.5	FKM	B397CVC
						EPDM	B397CEC
1/8"	0.13	0.11	0 - 5	0 - 5	2.0	FKM	B397CVE
						EPDM	B397CEE
1/8"	0.25	0.21	0 - 2	0 - 2	3.0	FKM	B397CVH
						EPDM	B397CEH

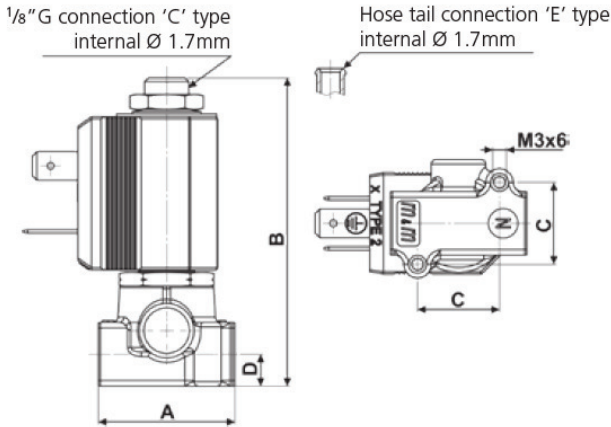
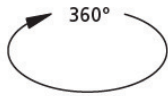
Options Available

Valve Options (see coding chart)
NPT threads (minimum batch may be required)
Manual Override
Electroless nickel plating treatment
Top port connection with hose tail Ø 6mm

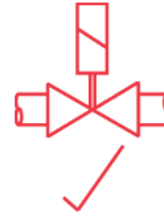
Seal Material ¹ and Media Temperature Range	Media	Ambient Temperature Range	
		Min	Max
FKM (-10 °C to +130 °C)	Water, oil, air	-10 °C	+50 °C
EPDM (-10 °C to +120 °C)	Water, hot water	-10 °C	+50 °C

¹ See corrosion reference guide and sealing solutions for material compatibility.

Coil Rotation



Preferred Valve Mounting Options



Pipe Size	A	B	C	D	Weight (kg)
1/8"	30	67.8	18	7	0.15

Dimensions (mm)

Solenoid enclosures

2--0 Type Coil - Insulation class F

- External material: PBT (reinforced fiberglass 30%)
- Electrical connection: Industrial form B
- Winding insulation: Class H (E180)
- Enclosure classification: Conforms to IP65 (according to EN 60529) with plug and gasket correctly fitted*



Type 600 001- Plug

- Rated Voltage (max.): 250 VAC / 300 VDC
- Nominal Current: 10A (rated) / 16A (max)
- Wire cross-section: 1.5 mm² max
- Cable Entry: PG9 (6 to 8 mm)
- Enclosure classification: Conforms to IP65 (according to EN 60529) with supplied gasket
- Insulation class: group C- VDE 0110
- Housing colour: black
- UL approved, file No: E205538



* Plug and gasket not supplied as standard, must be ordered separately.

Coding chart

Main Valve Assembly

Top Port Connection	Seals	Orifice
C 1/8" G	V FKM	A 1.0
E Hose tail Ø 6mm	E EPDM	B 1.2
		C 1.5
		E 2.0
		H 3.0

Option
N NPT
M Manual Override
K Electroless nickel plating
w/o option

Coil options

Voltage / Frequency - Class F	
2250	24 VDC
2200	24 V / 50/60 Hz
2400	110 V / 50 Hz - 120 V / 60 Hz
2600	200 V / 50 Hz - 220 V / 60 Hz
2700	230 V / 50 Hz - 240 V / 60 Hz

Plug

Plug
0B1 c/w plug
w/o plug

B	3	9	7
---	---	---	---	---	---	---	---	---	---	---	---	---	---	---	---	---	---	---	---

Product coding example:

B397CVAM 2250
1/8" G, auto operation, brass body, FKM seals, 1.0 mm orifice, with manual override, 24 VDC, without plug.