

XP601 Pressure Switch - Water, Steam & Aggressive Media

Body Material - Stainless Steel AISI304

Thread - G1/8, ISO228/ISO7 (G1/4 on-request)

Main Body - technopolymer (PET)

Membrane - AISI316

Protection Degree - IP00

Adjustment - By screw

Rated Impulsive Voltage- 2,5KV

Microswitch - SPDT 10(2)-250VAC

SPST-NC 10(2)-250VAC

SPST-NO 10(2)-250VAC

UL/CSA - SPDT 5A-125/250Vac m

Electrical Connection- terminal 6,3x0,8mm

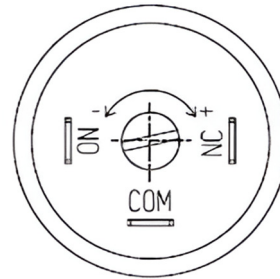
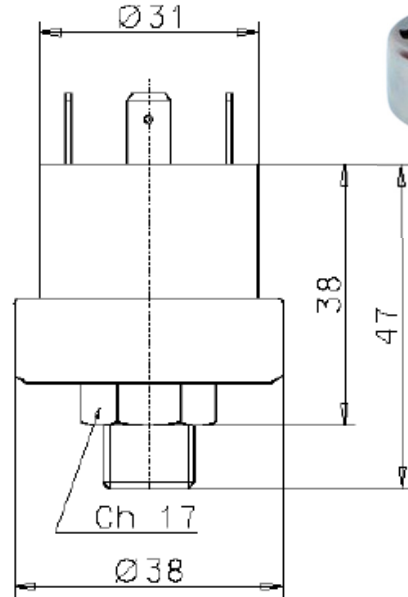
Operating Ambient Temperature - T125°C

(Heat Resistant Conductors - T138°C)

Burst Pressure - >30 bar

Thermic Drift - 0.04 bar for 10°C with respect to temperature of +20°C

Optional IP45 Protection Boot - REF: A0158100.020



| Pressure Connection | Part Number | Adjustable Pressure Range | Fixed Differential Bar | Electrical Data | Weight GM |
|---------------------|--------------|---------------------------|------------------------|-----------------|-----------|
| G 1/8 M | XP83AE61.000 | 0.2 - 1.2 | 0.30 ± 0.15 | 10A x 250V | 80 |
| G 1/8 M | XP83CE61.000 | 1.0 - 2.5 | 0.30 ± 0.15 | 10A x 250V | 80 |
| G 1/8 M | XP83DE61.000 | 1.5 - 4.0 | 0.35 ± 0.15 | 10A x 250V | 80 |
| G 1/8 M | XP83EE61.000 | 2.0 - 6.0 | 0.35 ± 0.20 | 10A x 250V | 80 |
| G 1/8 M | XP83FE61.000 | 4.0 - 9.0 | 0.50 ± 0.20 | 10A x 250V | 80 |
| G 1/8 M | XP83GE61.000 | 9.0 - 15.0 | 0.70 ± 0.30 | 10A x 250V | 80 |

Homologations: EN60730-1, EN60730-2-6, UL/CSA File E157180

