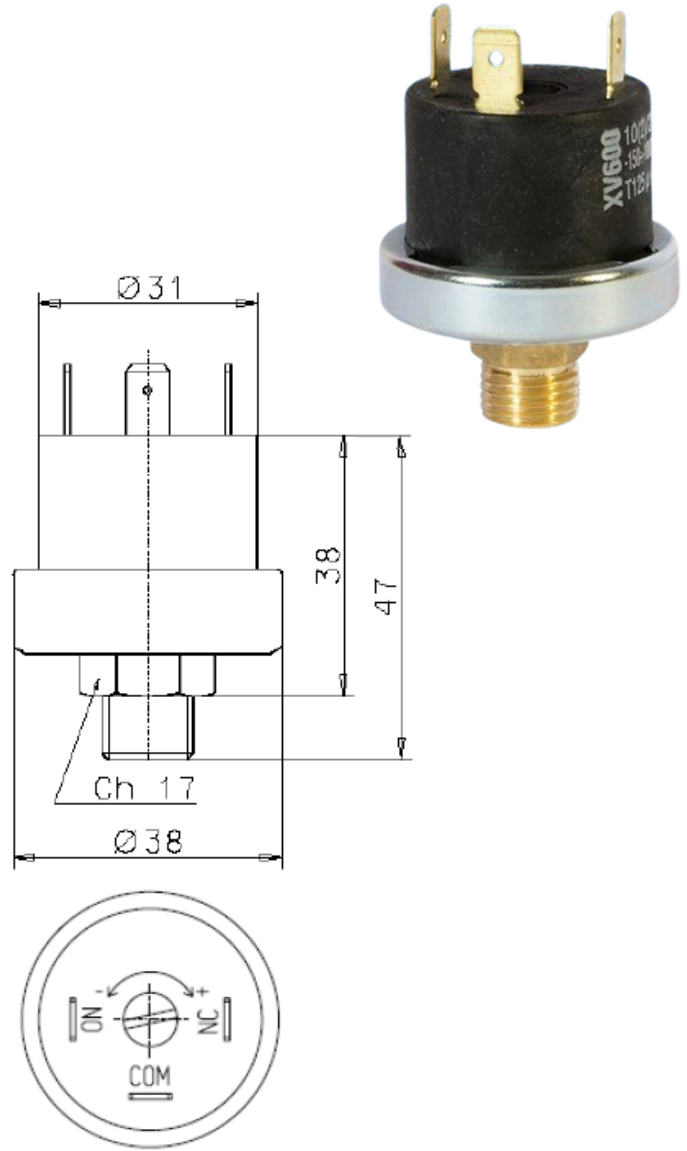


### XV600 Vacuum Switch

- Body Material - Brass
- Thread - G1/8, ISO228/ISO7 (G1/4 on-request)
- Main Body - technopolymer (PET)
- Membrane and Sealing - AISI316 and Silicon
- Protection Degree - IP00
- Adjustment - By screw
- Rated Impulsive Voltage- 2,5KV
- Microswitch - SPDT 10(2)-250VAC
- SPST-NC 10-250VAC
- SPST-NO 10-250VAC
- Electrical Connection- terminal 6,3x0,8mm
- Operating Ambient Temperature - T125°C
- Burst Pressure - >20 bar
- Thermic Drift - 0.04 bar for 10°C with respect to temperature of +20°C
- Optional IP45 Protection Boot - REF: A0158100.020



Process Connection	Part Number	Adjustable Vacuum Range mBar	Fixed Differential Bar mBar	Electrical Data	Weight GM
G 1/8 M	XV73VEN1.000	-150 -1000	150 ± 50	10A x 250V	80

Homologations: EN60730-1, EN60730-2-6, UL/CSA File E157180

