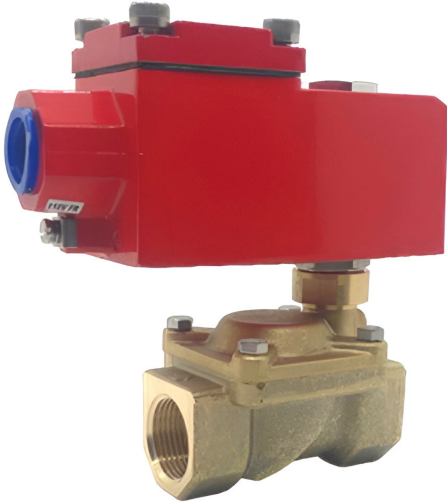


R2SP-R2SR EX 2/2 way Normally Closed Pilot Operated ATEX Solenoid Valve



Construction:

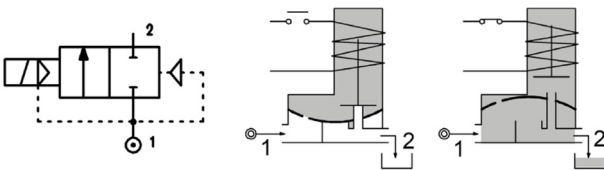
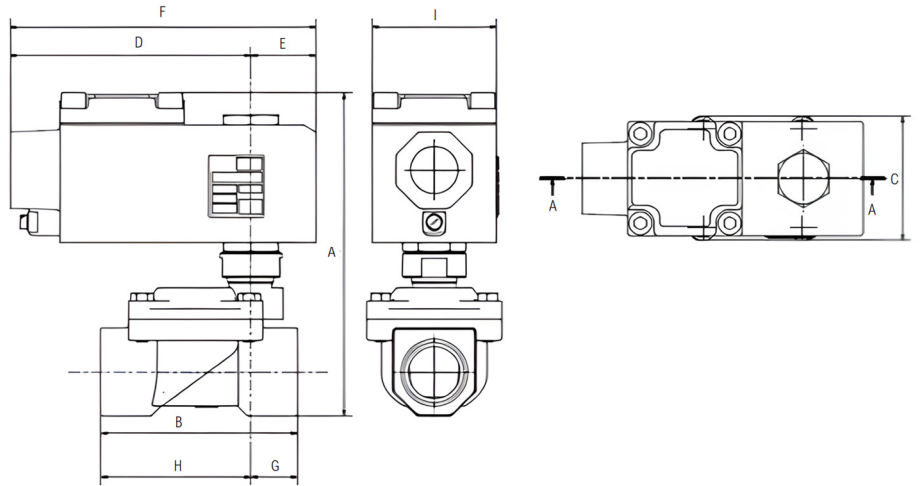
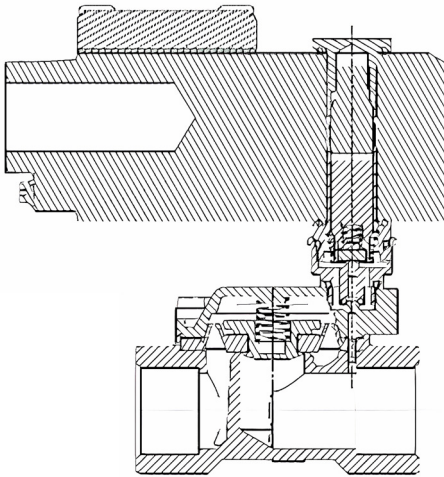
- Body: Brass CW614N
- Armature Tube: Stainless Steel AISI 303
- Seals: NBR, FKM, EPDM
- Plunger and Core: Stainless Steel AISI 430FR
- Springs: Stainless Steel AISI 302
- Electrical Housing: Aluminium Epoxy Resin

- Maximum allowable pressure: 26bar
- Maximum fluid viscosity: 25cSt (mm²/s)
- Protection class IP66/IP67
- Surge suppressor diode included

ATEX protection grade:

- II 2GD Ex db IIC T6/T5 Gb
- Ex tb IIIC T80°C/T95°C Db, IP66/IP67
- T122 ATEX 278 X
- 40°C<Ta<60°C FOR T6
- 40°C<Ta<70°C FOR T5

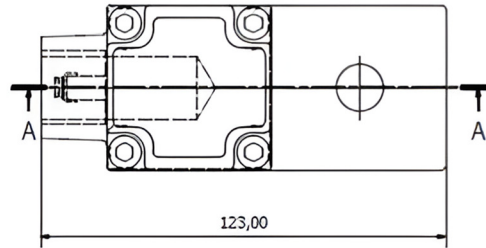
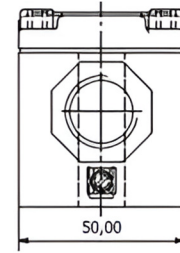
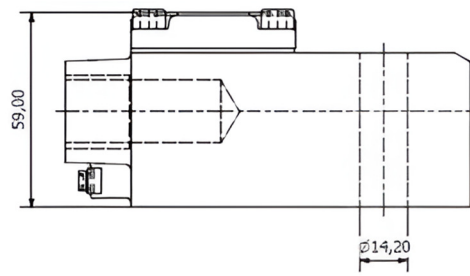
ATEX / IECEx system available on request
Stainless Steel AISI 316 ATEX housing on request



Valve Type	Dimensions								
	A	B	C	D	E	F	G	H	I
R2SP-A G3/8"	123	58	46	97	27	123	14	44	50
R2SP-A G1/2"	123	58	46	97	27	123	14	44	50
R2SP-A G3/4"	131	78	56	97	27	123	19	60	50
R2SP-A G1"	140	95	74	97	27	123	19	78	50
R2SR G 1 1/4"	151	130	96	97	27	123	23	107	50
R2SR G 1 1/2"	151	130	96	97	27	123	23	107	50
R2SR G 2"	168	155	122	97	27	123	22	133	50

Code	Port Size ISO 228	Orifice mm	Flow Rate Kvs m ³ /h	Switch-On Time	Switch-Off Time	Differential Pressure (bar)			Coil		Seal
						min	max. AC (*)	Max.DC (*)	series	width mm	
R2SPCCG12/AEX/Coil	3/8"	13	2.2	30ms	50ms	0.15	10	10	50Ax	50	NBR=B EPDM=E FPM=V
R2SPCDG12/AEX/Coil	1/2"	13	2.5			0.15	10	10			
R2SPCEG18/AEX/Coil	3/4"	19	5.5	50ms	80ms	0.15	10	10			
R2SPCFG25/AEX/Coil	1"	25	10.2			0.15	10	10			
R2SPCGG32/AEX/Coil	1 1/4"	32	18	150 to 1000ms	150 to 1000ms	0.15	6	6			
R2SPCHG40/AEX/Coil	1 1/2"	40	21			0.15	6	6			
R2SPCG50/AEX/Coil	2"	50	36			0.15	6	6			

(*) Performance with voltage tolerance +/-10%



Coil	Coil P/N	Voltage	Nominal Power			Electrical Connection	Connectors
			AC VA Inrush	AC VA Holding	DC Watt		
Series 50Ax Width 50mm	50A1	24V DC/AC	-	-	8	Terminal Box	1/2NPT cable Gland (not included)
	50AD	110V DC/AC	-	-	8		
	50AE	230V DC/AC	-	-	8		

(*) Other voltages available on request

Information:

100% ED

Voltage Tolerance: +20% -10%

Bore size: 14mm

Encapsulated Coil

Electrical housing: Aluminium Epoxy Resin

Maximum dissipated power: 30W

Degree of protection: IP66/IP67

ATEX protection grade:

II 2GD Ex db IIC T6/T5 Gb
 Ex tb IIIC T80°C/T95°C Db, IP66/IP67
 T122 ATEX 278 X
 -40°C<Ta<60°C FOR T6
 -40°C<Ta<70°C FOR T5

ATEX / IECEX system available on request

Stainless Steel AISI 316 ATEX housing on request