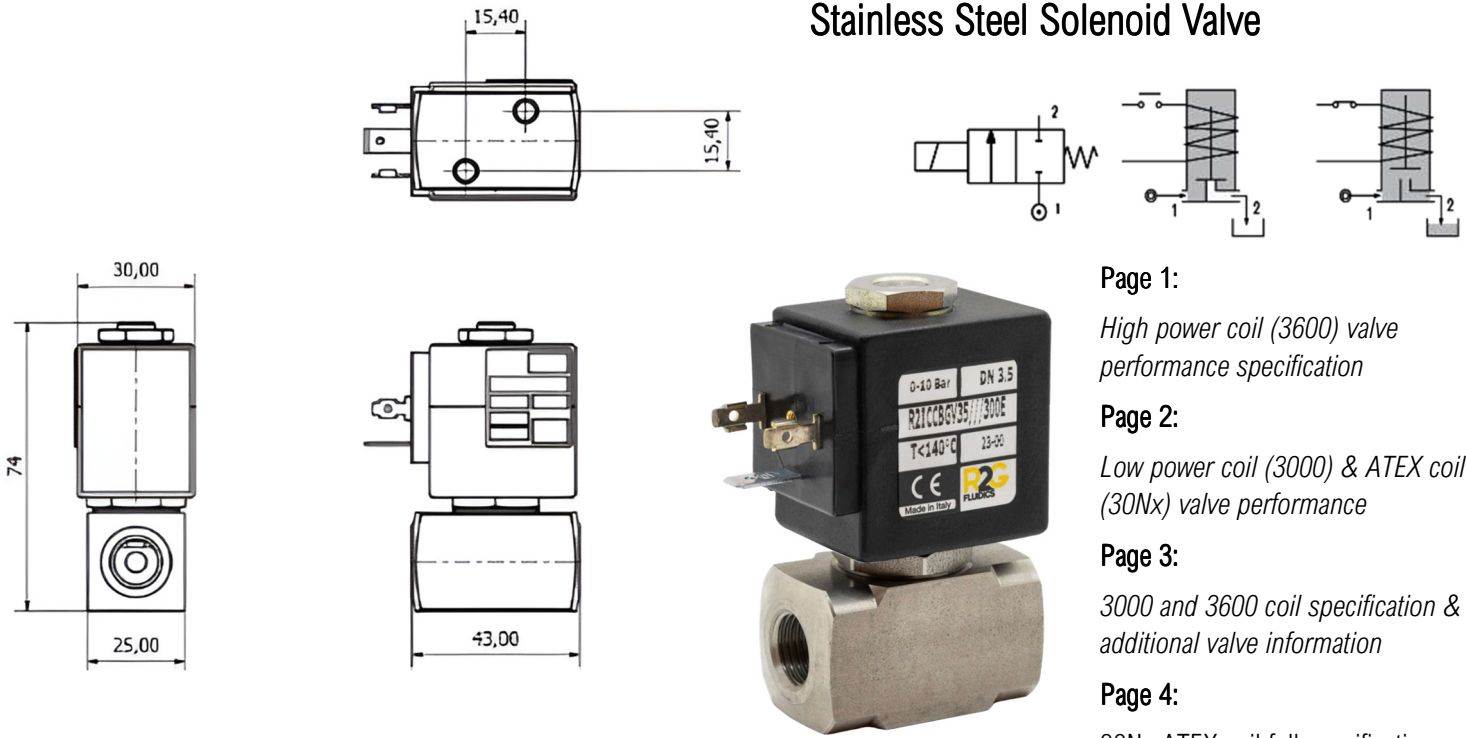


## R2IC 2/2 way Normally Closed Direct Acting

### Stainless Steel Solenoid Valve



Page 1:

High power coil (3600) valve performance specification

Page 2:

Low power coil (3000) & ATEX coil (30Nx) valve performance

Page 3:

3000 and 3600 coil specification & additional valve information

Page 4:

30Nx ATEX coil full specification

#### Valve Performance: High Power Coil - 3600 series

Code	Connection G ISO 228	Orifice mm	Flow Rate Kvs m³/h	Differential Pressure (bar)			Coil		Seal	Temp Range °C
				min	max. AC	Max.DC	series	width mm		
R2ICCBG#12/// 3600	1/4"	1.2	0.05	0	100	100	3600	36	NBR=B	-10 +90
R2ICCBG#15/// 3600		1.5	0.07	0	80	80				
R2ICCBG#20/// 3600		2	0.1	0	50	40				
R2ICCBG#25/// 3600		2.5	0.15	0	35	32			EPDM=E	-10 +160
R2ICCBG#35/// 3600		3.5	0.32	0	20	19				
R2ICCBG#45/// 3600		4.5	0.41	0	14	13				
R2ICCBG#52/// 3600		5.2	0.47	0	10	9				
R2ICCCG#35/// 3600	3/8"	3.5	0.32	0	20	19	3600	36	PTFE = P	-40 +180
R2ICCCG#45/// 3600		4.5	0.41	0	14	13				
R2ICCCG#52/// 3600		5.2	0.47	0	10	9				
R2ICCDG#35/// 3600	1/2"	3.5	0.32	0	20	19	3600	36	FFKM = K	-20 +180
R2ICCDG#45/// 3600		4.5	0.41	0	14	13				
R2ICCDG#52/// 3600		5.2	0.47	0	10	9				
R2ICCDG#35/// 3600	1/2"	3.5	0.32	0	20	19	3600	36	RUBY = R	-40 +180
R2ICCDG#45/// 3600		4.5	0.41	0	14	13				
R2ICCDG#52/// 3600		5.2	0.47	0	10	9				

Note: For Industrial Oxygen use, FKM sealing has to be used and Max pressure is limited to 25 bar  
The maximum allowable pressure PS for steam is 6bar with PTFE seals and 2.5bar with EPDM

## R2IC 2/2 way Normally Closed Direct Acting Stainless Steel Solenoid Valve

**Valve Performance:** *Low Power Coil - 3000 series and ATEX Coil - 30Nx series*

Code	Connection G ISO 228	Orifice mm	Flow Rate Kvs m <sup>3</sup> /h	Differential Pressure (bar)			Coil		Seal	Temp Range °C
				min	max. AC	Max.DC	series	width mm		
R2ICCBG#12/// 3000	1/4"	1.2	0.05	0	100	60	3000	30	NBR=B	-10 +90
R2ICCBG#15/// 3000		1.5	0.07	0	30	25				
R2ICCBG#20/// 3000		2	0.1	0	22	20				
R2ICCBG#25/// 3000		2.5	0.15	0	16	14				
R2ICCBG#35/// 3000		3.5	0.32	0	10	8				
R2ICCBG#45/// 3000		4.5	0.41	0	6.5	4				
R2ICCBG#52/// 3000		5.2	0.47	0	4	1.8				
R2ICCCG#35/// 3000	3/8"	3.5	0.32	0	10	8	30Nx (ATEX)	30	PTFE = P	-40 +180
R2ICCCG#45/// 3000		4.5	0.41	0	6.5	4				
R2ICCCG#52/// 3000		5.2	0.47	0	4	1.8				
R2ICCDG#35/// 3000	1/2"	3.5	0.32	0	10	8		30	RUBY = R	-40 +180
R2ICCDG#45/// 3000		4.5	0.41	0	6.5	4				
R2ICCDG#52/// 3000		5.2	0.47	0	4	1.8				

Note: For Industrial Oxygen use, FKM sealing has to be used and Max pressure is limited to 25 bar  
The maximum allowable pressure PS for steam is 6bar with PTFE seals and 2.5bar with EPDM



30Nx coil: ATEX Rated - Ex nA zone 2 (Non-Sparking)

### Stainless Steel Solenoid Valve

#### Standard Coil Specification

Coil	Coil P/N	Voltage	Nominal Power			Electrical Connection	Connectors
			AC	AC	DC		
			VA Inrush	VA Holding	Watt		
Series 3600 (High Power) Width 36mm	3601	24V DC	-	-	24	DIN 43650A	A1B09-1-2A
	360B	24V AC	30	24	-		
	360E	230V AC	30	24	-		
Series 3000 (Low Power) Width 30mm	3001	24V DC	-	-	10		
	300B	24V AC	15	12	-		
	300D	110 AC	15	12	-		
	300E	230 AC	15	12	-		

#### Description:

- Solenoid valve 2 ways, direct acting
- Stainless Steel AISI 303.
- Switch-On time 18ms.
- Switch-Off time 23ms.

#### Construction:

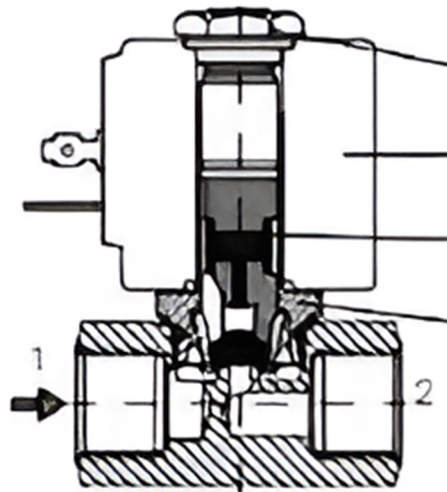
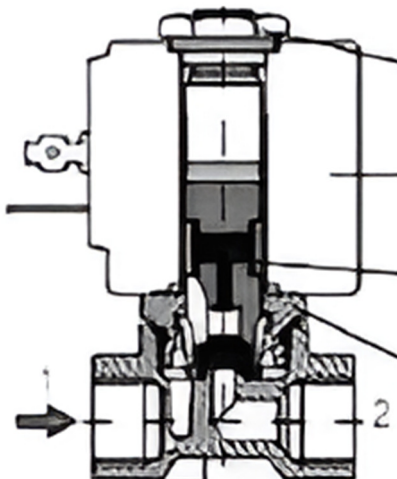
- Body: Stainless Steel AISI 303
- Armature tube: Stainless steel AISI 303
- Plunger and core: Stainless steel 430Fr
- Springs: Stainless steel AISI 302
- Seal material: NBR - FPM – EPDM - PTFE

#### Features:

- Maximum allowable pressure: 100bar
- Maximum fluid viscosity: 27cSt (mm<sup>2</sup>/s)
- Ambient temperature:  
with class F coil -10°C +55°C  
with class H coil -10°C +80°C
- Above 80°C please consult our tech department for support
- Universal mounting position

#### Options:

- Manual override
- Degreased for Industrial Oxygen use
- Add "/B" suffix to part number for Back pressure resistant (for more details ask our tech. dept.)
- Others on request



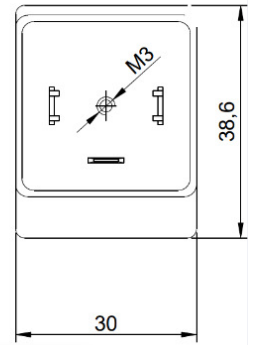
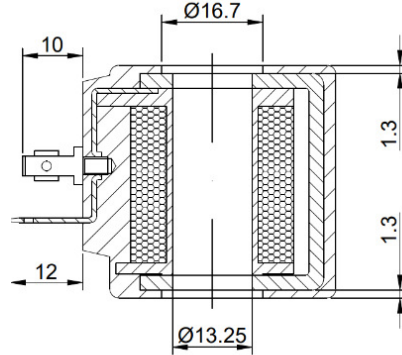
#### Spare parts:

- Coil fixing nut
- Coil
- Mobile plunger assembly
- Armature tube kit

ATEX Ex Coil Electrical Connection DIN43650 A (EN175301-803 ISO 4400)

13mm Armature Tube

ED 100%



Coil	Voltage	Nominal Power		Voltage Tolerance	Service
		AC (VA)	DC (W)		
30NA	12V 50/60Hz	15	-	+15%	ED 100%
30NB	24V 50/60Hz				
30NC	48V 50/60Hz				
30ND	110V 50/60Hz				
30NE	220/230V 50/60Hz				
30N0	12V DC	-	10	+/-10%	
30N1	24V DC				

### Information:

100% ED

Voltage Tolerance: +15% -10% (AC Voltages) +/-10% (DC Voltages)

Bore size: 13mm

Encapsulated Coil

Available as Class F (+155°C) or Class H (+180°C)

### Construction:

Class F: Fiber-Glass reinforced Nylon

Class H: Fiber-Glass reinforced Polyester

Magnetic Circuit: Zinc-plated steel

Windings: Class H - insulated copper wires

### Ambient Temperature:

Class F: -10°C +55°C

Class H: -10°C +80°C

Degree of protection: IP65

### ATEX protection grade:

II 3G Ex nA IIC T3 Gc

II 3D Ex tc IIIC T200°C Dc IP65