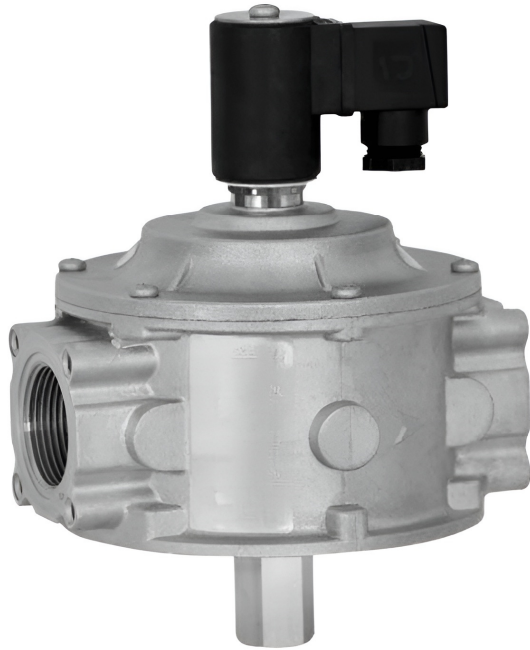


GCR - Manual Reset Normally Closed Gas Solenoid Valve

The GCR series of manual reset gas solenoid valves provide a safe and reliable solution for gas shut-off in industrial systems. The valve closes when de-energised and requires a manual reset to reopen.



Technical Specification

Power supply voltage (single phase only)	12V DC, 12V/50 Hz (DN 15 to DN 50 only) 24V DC, 24V/50 Hz -15% / +10%
Cable entry	110V/50-60 Hz 230V/50-60 Hz Cable gland M20x1.5
Media	Non-aggressive gases of the three families (dry gases)
Maximum Pressure	500 mbar (50 kPa) 6 bar (600 kPa) is available for the GCRO brass bodied valves
Ambient temperature	-20 to +60°C
Speed	Opening time: < 1s Closing time: < 1s
Protection Rating	IP65
Class	A (DN 15 to DN 200) B (DN 250 to DN 300)
Mechanical Resistance	Group 2
Body Material	GCR: Aluminium GCRO: Brass
Connections	BSP Threaded (EN 10226) up to DN 50 PN 16 or ANSI 150 flanged NPT Threaded (contact us)

CPI Switches

The GCR range can be equipped with CPI position switches for remote indication of the valve's closed position. These can also be retrofitted to existing valves if required.

For more details on the switching system for this range of valves, contact us.

CPI Switch Specification

Ambient Temperature	-20 to +60°C
Switchable voltage	Max 250V AC / 30V DC
Switchable current	Max 2 A
Protection rating	IP65

Manual Reset Safety Valves

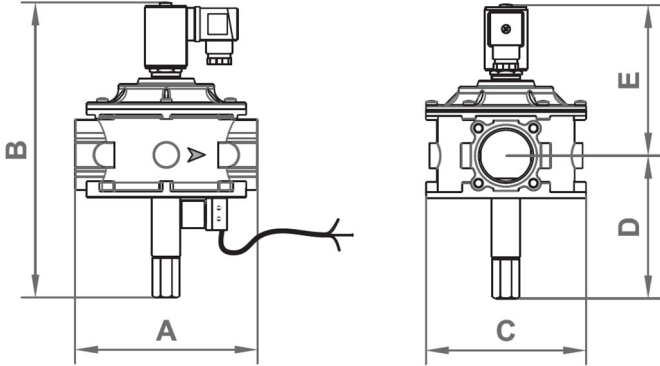
The GCR series normally closed manual reset gas solenoid valves are designed for safe shut-off of gas supply in response to signals from gas detection systems (e.g. methane, LPG, carbon monoxide) or safety thermostats, as well as in the event of a power failure.

For added safety, the valve can only be manually reset when power is present and no fault signal is active, preventing unintended reopening.

Subject to alteration without notice. Uncontrolled Copy, not subject to automatic updates

Dimensions:

500mbar: DN15 to DN50

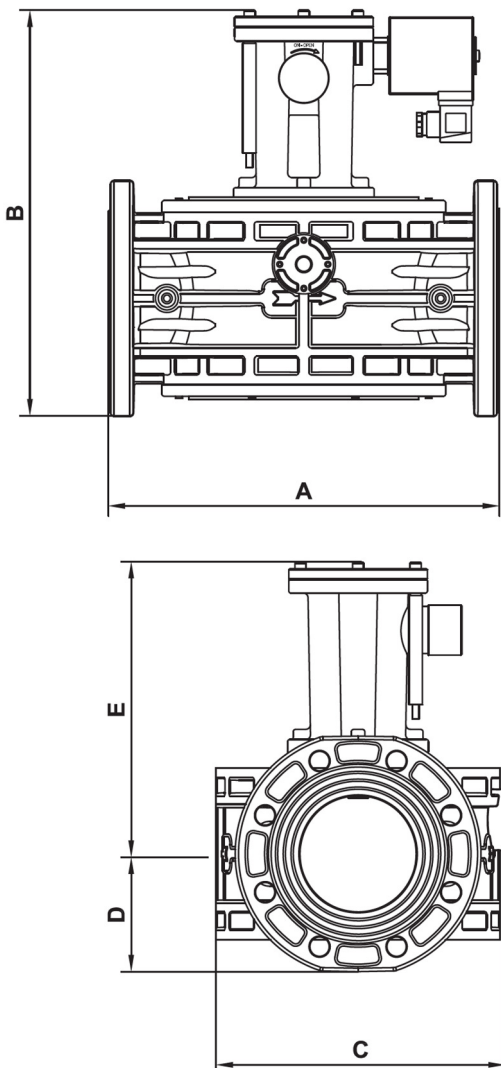


GCR - Manual Reset Normally Closed Gas Solenoid Valve

500mbar Dimensions in mm

Model	Ø	Connection	A	B=(D+E)	C	D	E
GCRO (brass)	DN 15	BSP Threaded	66	132	37	45	87
	DN 20		82	142	44	50	92
GCR	DN 25		75	163	74	52	111
	DN 32		160	212	140	78	134
	DN 40		160	244	140	92.5	151.5
GCR	DN 50		Flanged PN16 or ANSI 150	230	255	165	98.5
	DN 32	230		255	165	98.5	156.5

500mbar: DN65 to DN300



500mbar Dimensions in mm

Model	Ø	Connection (Flanged)	Holes	A	B=(D+E)	C	D	E
GCR	DN65	PN16 or	4	290	355	198	90	265
	DN 80	PN16	8	310	363	198	97	266
	DN 80	ANSI 150	4	290	355	198	90	265
	DN 100	PN16 or ANSI 150	8	350	363	260	105	258
	DN 125		8	480	465	328	125	340
	DN 150		8	480	470	328	130	340
	DN 200	PN16	12	600	540	450	165	375
	DN 200	ANSI 150	8	600	540	450	165	375
	DN 250	PN16 or ANSI 150	12	673	720	510	197	523
	DN 300		12	737	765	570	220	545

Standard options 1/2" to 2" - 500 mbar

GCR - Manual Reset Normally Closed Gas Solenoid Valve

GCR series: 500 mbar threaded options 1/2" to 2"									
Part Number	Size	Connection	Voltage	Power	Pressure Max (mbar)	Flow Rate m³/h		Filter Element	Body Material
						05 m³/h	1 mbar		
GCR 115	1/2"	BSP Threaded (EN 10226) <small>(NPT threaded, PN16 or ANSI 150 Flanged available on request)</small>	12V/50 Hz	8 VA	500 mbar	6.6	8.7	1mm wire mesh	Aluminium
GCR 215			12V DC	8 VA					
GCR 315			24V DC	8 VA					
GCR 415			24V/50 Hz	8 VA					
GCR 615			110V/50-60 Hz	8 VA					
GCR 815			230V/50-60 Hz	9 VA					
GCR 120	3/4"		12V/50 Hz	8 VA		9.8	14		
GCR 220			12V DC	8 VA					
GCR 320			24V DC	8 VA					
GCR 420			24V/50 Hz	8 VA					
GCR 620			110V/50-60 Hz	8 VA					
GCR 820			230V/50-60 Hz	9 VA					
GCR 125	1"		12V/50 Hz	8 VA		15	19		
GCR 225			12V DC	8 VA					
GCR 325			24V DC	8 VA					
GCR 425			24V/50 Hz	8 VA					
GCR 625			110V/50-60 Hz	8 VA					
GCR 825			230V/50-60 Hz	9 VA					
GCR 132	1 1/4"	12V/50 Hz	8 VA	18	27				
GCR 232		12V DC	8 VA						
GCR 332		24V DC	8 VA						
GCR 432		24V/50 Hz	8 VA						
GCR 632		110V/50-60 Hz	8 VA						
GCR 832		230V/50-60 Hz	9 VA						
GCR 140	1 1/2"	12V/50 Hz	8 VA	20	30				
GCR 240		12V DC	8 VA						
GCR 340		24V DC	8 VA						
GCR 440		24V/50 Hz	8 VA						
GCR 640		110V/50-60 Hz	8 VA						
GCR 840		230V/50-60 Hz	9 VA						
GCR 150	2"	12V/50 Hz	8 VA	25	37				
GCR 250		12V DC	8 VA						
GCR 350		24V DC	8 VA						
GCR 450		24V/50 Hz	8 VA						
GCR 650		110V/50-60 Hz	8 VA						
GCR 850		230V/50-60 Hz	9 VA						

CPI options 1¼" to 2" 500 mbar

GCR - Manual Reset Normally Closed Gas Solenoid Valve

GCR series: 500 mbar aluminium options 1¼" to 2" including CPI (closed position indicator)									
Part Number	Size	Connection	Voltage	Power	Pressure Max (mbar)	Flow Rate m³/h		Filter Element	Body Material
						05 m³/h	1 mbar		
GCR 132C	1¼"	BSP Threaded (EN 10226) <small>(NPT threaded, PN16 or ANSI 150 Flanged available on request)</small>	12V/50 Hz	8 VA	500 mbar	18	27	1mm wire mesh	Aluminium
GCR 232C			12V DC	8 VA					
GCR 332C			24V DC	8 VA					
GCR 432C			24V/50 Hz	8 VA					
GCR 632C			110V/50-60 Hz	8 VA					
GCR 832C			230V/50-60 Hz	9 VA					
GCR 140C	1½"		12V/50 Hz	8 VA		20	30		
GCR 240C			12V DC	8 VA					
GCR 340C			24V DC	8 VA					
GCR 440C			24V/50 Hz	8 VA					
GCR 640C			110V/50-60 Hz	8 VA					
GCR 840C	230V/50-60 Hz		9 VA						
GCR 150C	2"		12V/50 Hz	8 VA		25	37		
GCR 250C			12V DC	8 VA					
GCR 350C			24V DC	8 VA					
GCR 450C			24V/50 Hz	8 VA					
GCR 650C			110V/50-60 Hz	8 VA					
GCR 850C			230V/50-60 Hz	9 VA					

Brass options 1/2" to 2" 500 mbar or 6 bar

GCRO series: 500 mbar brass options 1¼" to 2"									
Part Number	Size	Connection	Voltage	Power	Pressure Max (mbar)	Flow Rate m³/h		Filter Element	Body Material
						05 m³/h	1 mbar		
GCRO 115	1/2"	BSP Threaded (EN 10226) <small>(NPT threaded, PN16 or ANSI 150 Flanged available on request)</small>	12V/50 Hz	8 VA	500 mbar or 6 bar	6.6	8.7	1mm wire mesh	Brass
GCRO 215			12V DC	8 VA					
GCRO 315			24V DC	8 VA					
GCRO 415			24V/50 Hz	8 VA					
GCRO 615			110V/50-60 Hz	8 VA					
GCRO 815			230V/50-60 Hz	9 VA					
GCRO 120	3/4"		12V/50 Hz	8 VA		9.8	14		
GCRO 220			12V DC	8 VA					
GCRO 320			24V DC	8 VA					
GCRO 420			24V/50 Hz	8 VA					
GCRO 620			110V/50-60 Hz	8 VA					
GCRO 820	230V/50-60 Hz		9 VA						
GCRO 125	1"		12V/50 Hz	8 VA		15	19		
GCRO 225			12V DC	8 VA					
GCRO 325			24V DC	8 VA					
GCRO 425			24V/50 Hz	8 VA					
GCRO 625			110V/50-60 Hz	8 VA					
GCRO 825			230V/50-60 Hz	9 VA					

GCR DN65 to DN300 Flanged

GCR - Manual Reset Normally Closed Gas Solenoid Valve

GCA series: 500 mbar flanged options DN65 to DN300							
Part Number		Size	Connection	Voltage	Power Standard Coil	Pressure Max (mbar)	Filter Element
Standard	With CPI						
GCR 465	GCR 465C	DN 65	Flanged PN 16 or ANSI 150	24V/50 Hz	20 VA	500 mbar	filtering 50µm
GCR 665	GCR 665C			110V/50-60 Hz	24 VA		
GCR 865	GCR 865C			230V/50-60 Hz	18 VA		
GCR 480	GCR 480C	DN 80		24V/50 Hz	20 VA		
GCR 680	GCR 680C			110V/50-60 Hz	24 VA		
GCR 880	GCR 880C			230V/50-60 Hz	18 VA		
GCR 4100	GCR 4100C	DN 100		24V/50 Hz	20 VA		
GCR 6100	GCR 6100C			110V/50-60 Hz	24 VA		
GCR 8100	GCR 8100C			230V/50-60 Hz	18 VA		
GCR 4125	GCR 4125C	DN 125		24V/50 Hz	20 VA		
GCR 6125	GCR 6125C			110V/50-60 Hz	24 VA		
GCR 8125	GCR 8125C			230V/50-60 Hz	18 VA		
GCR 4150	GCR 4150C	DN 150		24V/50 Hz	20 VA		
GCR 6150	GCR 6150C			110V/50-60 Hz	24 VA		
GCR 8150	GCR 8150C			230V/50-60 Hz	18 VA		
GCR 4200	GCR 4200C	DN 200		24V/50 Hz	20 VA		
GCR 6200	GCR 6200C			110V/50-60 Hz	24 VA		
GCR 8200	GCR 8200C			230V/50-60 Hz	18 VA		
GCR 4250	GCR 4250C	DN 250	24V/50 Hz	20 VA			
GCR 6250	GCR 6250C		110V/50-60 Hz	24 VA			
GCR 8250	GCR 8250C		230V/50-60 Hz	18 VA			
GCR 4300	GCR 4300C	DN 300	24V/50 Hz	20 VA			
GCR 6300	GCR 6300C		110V/50-60 Hz	24 VA			
GCR 8300	GCR 8300C		230V/50-60 Hz	18 VA			