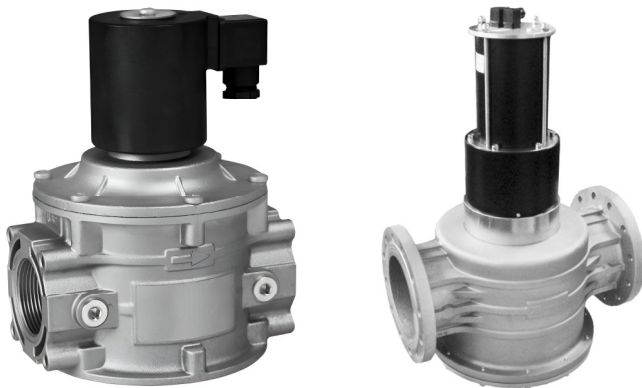




Energy-efficient coils

Energy-efficient coils are fitted as standard across most of the GCA range. These coils reduce power consumption during operation by automatically lowering the power after the initial actuation period (typically 8–10 seconds), when higher force is required to open the valve.

Once energised, the coil operates at a reduced holding power, significantly lowering energy usage and heat generation. This design improves overall efficiency and is particularly beneficial in continuous-duty applications, larger valve sizes, or systems where heat management and energy efficiency are important.



Fast operation or slow operation:

The GCA series gas solenoid valves are supplied as standard with fast opening times. Slower versions are available on request, with adjustable opening times from 0.5 to 30 seconds ($\pm 20\%$, at 25 °C, nominal voltage).

A range of optional configurations are available, including combinations of adjustable slow opening, fast stroke adjustment, and flow rate control, depending on the application.

Performance: SIL Level

The stand-alone solenoid valve is rated to SIL 2. When two valves are installed in series with a Valve Proving System (VPS) certified to EN 1643, the system can achieve SIL 3 in accordance with EN 676:2008.

The valve also meets Performance Level d (PL d). Contact us for more information.

GCA - Auto-reset Normally Closed Gas Solenoid Valve
EC approval according to EN 161, compliant with regulation (EU) 2016/426

The GCA series normally closed automatic reset gas solenoid valves are designed for safe and reliable control of gas flow in industrial applications. They open when the coil is energised and close automatically when power is removed.

Technical Specification	
Power supply voltage (single phase only)	12V DC, 12V/50 Hz (<i>DN 15 to DN 50 only</i>) 24V DC, 24V/50 Hz -15% / +10%
	110V/50-60 Hz 230V/50-60 Hz
Cable entry	Cable gland M20x1.5
Media	Non-aggressive gases of the three families (dry gases)
Ambient temperature	-20 to +60°C
Speed	Opening time: < 1s Closing time: < 1s Slow options (contact us): <i>between 0.5 and 30 s $\pm 20\%$ ($t_a = 25\text{ }^\circ\text{C} - V=V_n$)</i> Slower options are available for larger sizes
Protection Rating	IP65
Class	A (DN 15 to DN 200) B (DN 250 to DN 300)
Mechanical Resistance	Group 2
Standards & Approvals	EC approval according to EN 161 Compliant with Regulation (EU) 2016/426
Body Material	Aluminium
Connections	BSP Threaded (EN 10226) up to DN 50 PN 16 or ANSI 150 flanged NPT (contact us)

CPI Switches and OPI switches

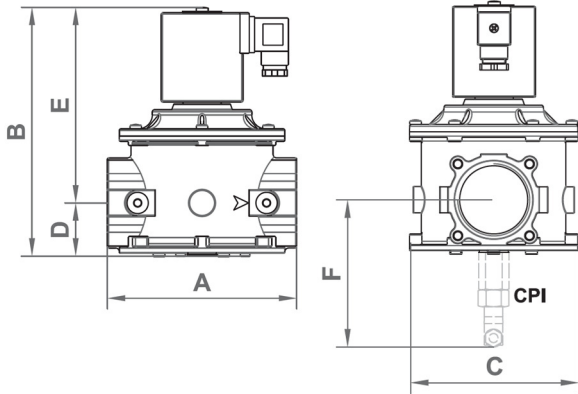
The GCA range can be equipped with CPI position switches for remote indication of the valve's closed position. These can also be retrofitted, provided the valve is prepared with the cap under the valve body.

Open position indicator switches (OPI) are also available for larger sizes.

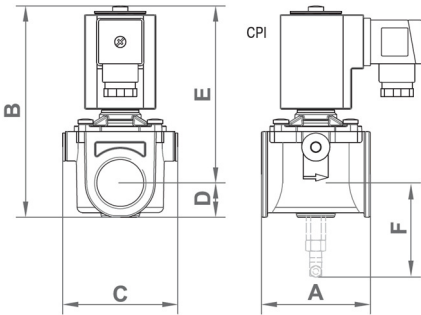
CPI Switch Specification	
Ambient Temperature	-20 to +60°C
Switchable voltage	Max 1000 V (DC or AC peak)
Switchable current	Max 1 A (DC or AC peak)
Switchable power	Max 40W ohmic
Resistance	100 mΩ
Protection rating	IP65
Cable length	Max 5m

Dimensions:

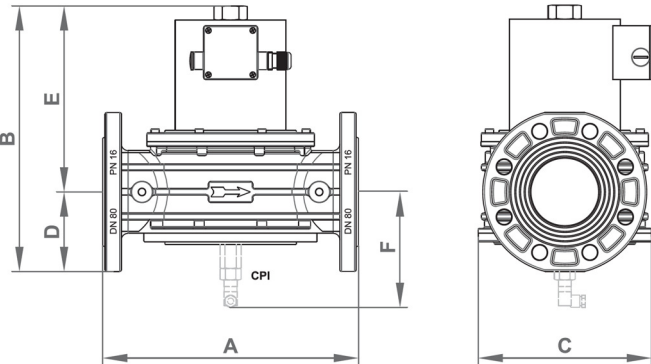
200 mbar 1/2" to 1" BSP 1/4" to 2" produced on request
 360 mbar 1/4" to 2" BSP Flanged available on request



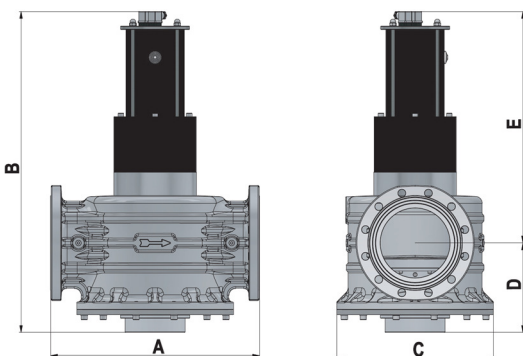
500mbar 1/2" to 1"
 1000mbar 1/2" to 1"



360mbar Flanged DN 60 to DN 150



360mbar Flanged DN 200 to DN 300



GCA - Auto-reset Normally Closed Gas Solenoid Valve

200mbar Threaded <i>Dimensions in mm</i>						
Ø	A	B=(D+E)	C	D	E	F (CPI)
DN 15 DN 20 DN 25	75	137	74	22	115	95
DN 32 DN 40	160	186	140	37	149	90
DN 50	160	211	140	46	165	122

360mbar Threaded <i>Dimensions in mm</i>						
Ø	A	B=(D+E)	C	D	E	F (CPI)
DN 32 DN 40	160	210	140	37	173	108
DN 50	160	235	140	45	190	122

500mbar / 1000mbar Threaded <i>Dimensions in mm</i>						
Ø	A	B=(D+E)	C	D	E	F (CPI)
DN 15 DN 20 DN 25	75	142	75	27	115	100

360mbar Flanged PN16 / ANSI 150 <i>Dimensions in mm</i>							
Ø	Holes	A	B=(D+E)	C	D	E	F (CPI)
DN 65	4	290	317	211	89	228	141
DN 80 PN 16	8	310	325	211	97	228	141
DN 80 ANSI 150	4	290	317	211	89	228	141
DN 100	8	350	388	254	105	283	167
DN 125	8	480	575	328	127	448	204
DN 150	8	480	579	328	131	448	204
DN 200 PN 16	12	600	920	450	255	665	-
DN 200 ANSI 150	8	600	920	450	255	665	-
DN 250	12	673	1020	510	295	725	-
DN 300	12	737	1160	552	320	840	-

Standard options 1/2" to 2"

GCA - Auto-reset Normally Closed Gas Solenoid Valve

200 mbar / 360 mbar

GCA series: 200 mbar or 360 mbar threaded options													
Part Number	Size	Connection	Voltage	Power		Pressure Max (mbar)	Flow Rate m ³ /h		Cycles/hour	Filter Element			
				Energy Saving Coil	Standard Coil		05 m ³ /h	1 mbar					
GCA 115	1/2"	BSP Threaded (EN 10226) <small>(NPT threaded, PN16 or ANSI 150 Flanged available on request)</small>	12V/50 Hz	-	12 VA	200 mbar	3.5	5	~1800 ON = 1s OFF = 1s	1mm wire mesh			
GCA 215			12V DC		16 VA								
GCA 315			24V DC		17 VA								
GCA 415			24V/50 Hz		14 VA								
GCA 615			110V/50-60 Hz		17 VA								
GCA 815			230V/50-60 Hz		18 VA								
GCA 120	3/4"		12V/50 Hz	12 VA	-		200 mbar	4.8			7	~1800 ON = 1s OFF = 1s	1mm wire mesh
GCA 220			12V DC	16 VA									
GCA 320			24V DC	17 VA									
GCA 420			24V/50 Hz	14 VA									
GCA 620			110V/50-60 Hz	17 VA									
GCA 820			230V/50-60 Hz	18 VA									
GCA 125	1"	12V/50 Hz	6 VA	20 VA	360 mbar	6	8.8	~1000 ON = 1s OFF = 2.5s	1mm wire mesh				
GCA 225		12V DC	23 VA										
GCA 325		24V DC	7 VA	27 VA									
GCA 425		24V/50 Hz	24 VA										
GCA 625		110V/50-60 Hz	9 VA	29 VA									
GCA 825		230V/50-60 Hz	30 VA										
GCA 332/360	1 1/4"	24V DC	36 VA	110 VA	360 mbar	19	27	~195 ON = 5s OFF = 13.5s	1mm wire mesh				
GCA 432/360		24V/50 Hz	41 VA	97 VA									
GCA 632/360		110V/50-60 Hz	60 VA	132 VA									
GCA 832/360		230V/50-60 Hz	32 VA	82 VA									
GCA 340/360	1 1/2"	24V DC	36 VA	110 VA	360 mbar	20	29	~195 ON = 5s OFF = 13.5s	1mm wire mesh				
GCA 440/360		24V/50 Hz	41 VA	97 VA									
GCA 640/360		110V/50-60 Hz	60 VA	132 VA									
GCA 840/360		230V/50-60 Hz	32 VA	82 VA									
GCA 350/360	2"	24V DC	36 VA	110 VA	360 mbar	30	43	~195 ON = 5s OFF = 13.5s	1mm wire mesh				
GCA 450/360		24V/50 Hz	41 VA	97 VA									
GCA 650/360		110V/50-60 Hz	60 VA	132 VA									
GCA 850/360		230V/50-60 Hz	32 VA	82 VA									

200 mbar: 1¼” to 2”

GCA - Auto-reset Normally Closed Gas Solenoid Valve

GCA series: 200 mbar threaded options										
Part Number	Size	Connection	Voltage	Power		Pressure Max (mbar)	Flow Rate m³/h		Cycles/hour	Filter Element
				Energy Saving Coil	Standard Coil		05 m³/h	1 mbar		
GCA 332	1¼”	BSP Threaded (EN 10226) <small>(NPT threaded, PN16 or ANSI 150 Flanged available on request)</small>	24V DC	18 VA	68 VA	200 mbar	19	27	~450 ON = 2s OFF = 6s	1mm wire mesh
GCA 432			24V/50 Hz							
GCA 632			110V/50-60 Hz	23 VA	77 VA					
GCA 832			230V/50-60 Hz	25 VA	89 VA					
GCA 340	1½”		24V DC	18 VA	68 VA		20	29		
GCA 440			24V/50 Hz							
GCA 640			110V/50-60 Hz	23 VA	77 VA					
GCA 840			230V/50-60 Hz	25 VA	89 VA					
GCA 350	2”		24V DC	18 VA	68 VA		30	43		
GCA 450			24V/50 Hz							
GCA 650			110V/50-60 Hz	23 VA	77 VA					
GCA 850			230V/50-60 Hz	25 VA	89 VA					

Sizes and Options - 360 mbar: 1¼” to 2”

GCA series: 360 mbar threaded options										
Part Number	Size	Connection	Voltage	Power		Pressure Max (mbar)	Flow Rate m³/h		Cycles/hour	Filter Element
				Energy Saving Coil	Standard Coil		05 m³/h	1 mbar		
GCA 332/360E	1¼”	BSP Threaded (EN 10226) <small>(NPT threaded, PN16 or ANSI 150 Flanged available on request)</small>	24V DC	18 VA	68 VA	360 mbar	19	27	~450 ON = 2s OFF = 6s	1mm wire mesh
GCA 432/360E			24V/50 Hz							
GCA 632/360E			110V/50-60 Hz	23 VA	77 VA					
GCA 832/360E			230V/50-60 Hz	25 VA	89 VA					
GCA 340/360E	1½”		24V DC	18 VA	68 VA		20	29		
GCA 440/360E			24V/50 Hz							
GCA 640/360E			110V/50-60 Hz	23 VA	77 VA					
GCA 840/360E			230V/50-60 Hz	25 VA	89 VA					
GCA 350/360E	2”		24V DC	18 VA	68 VA		30	43		
GCA 450/360E			24V/50 Hz							
GCA 650/360E			110V/50-60 Hz	23 VA	77 VA					
GCA 850/360E			230V/50-60 Hz	25 VA	89 VA					

Sizes and Options - 500 or 1000 mbar: 1/2" to 1" GCA - Auto-reset Normally Closed Gas Solenoid Valve

GCA series: high pressure threaded options														
Part Number	Size	Connection	Voltage	Power Standard Coil	Pressure Max (mbar)	Flow Rate m³/h		Cycles/hour	Filter Element					
						05 m³/h	1 mbar							
GCA 215/500	1/2"	BSP Threaded (EN 10226) (NPT threaded, PN16 or ANSI 150 Flanged available on request)	12V DC	16 VA	500 mbar	3.5	5	~1800 ON = 1s OFF = 1s	1mm wire mesh					
GCA 315/500			24V DC	17 VA										
GCA 415/500			24V/50 Hz	14 VA										
GCA 615/500			110V/50-60 Hz	17 VA										
GCA 815/500			230V/50-60 Hz	18 VA										
GCA 220/500	3/4"		12V DC	16 VA		500 mbar	4.8			7	~1800 ON = 1s OFF = 1s	1mm wire mesh		
GCA 320/500			24V DC	17 VA										
GCA 420/500			24V/50 Hz	14 VA										
GCA 620/500			110V/50-60 Hz	17 VA										
GCA 820/500			230V/50-60 Hz	18 VA										
GCA 225/500	1"		12V DC	16 VA		500 mbar	6			8.8			~1800 ON = 1s OFF = 1s	1mm wire mesh
GCA 325/500			24V DC	17 VA										
GCA 425/500			24V/50 Hz	14 VA										
GCA 625/500			110V/50-60 Hz	17 VA										
GCA 825/500			230V/50-60 Hz	18 VA										
GCA 215/1	1/2"	12V DC	16 VA	1000 mbar	3.5	5	~1800 ON = 1s OFF = 1s	1mm wire mesh						
GCA 315/1		24V DC	17 VA											
GCA 415/1		24V/50 Hz	14 VA											
GCA 615/1		110V/50-60 Hz	17 VA											
GCA 815/1		230V/50-60 Hz	18 VA											
GCA 220/1	3/4"	12V DC	16 VA		1000 mbar	4.8			7	~1800 ON = 1s OFF = 1s	1mm wire mesh			
GCA 320/1		24V DC	17 VA											
GCA 420/1		24V/50 Hz	14 VA											
GCA 620/1		110V/50-60 Hz	17 VA											
GCA 820/1		230V/50-60 Hz	18 VA											
GCA 225/1	1"	12V DC	16 VA		1000 mbar	6			8.8			~1800 ON = 1s OFF = 1s	1mm wire mesh	
GCA 325/1		24V DC	17 VA											
GCA 425/1		24V/50 Hz	14 VA											
GCA 625/1		110V/50-60 Hz	17 VA											
GCA 825/1		230V/50-60 Hz	18 VA											

Sizes and Options - 360 mbar: Flanged

GCA - Auto-reset Normally Closed Gas Solenoid Valve

GCA series: 360 mbar flanged options										
Part Number	Size	Connection	Voltage	Power		Pressure Max (mbar)	Flow Rate m³/h		Cycles/hour ON time OFF time	Filter Element
				Energy Saving Coil	Standard Coil		05 m³/h	1 mbar		
GCA 365	DN 65	Flanged	24V DC	50 VA	185 VA	360 mbar	50	71	~195 ON = 5s OFF = 13.5s	filtering 50µm
GCA 465			24V/50 Hz							
GCA 665			110V/50-60 Hz	70 VA	260 VA					
GCA 865			230V/50-60 Hz							
GCA 380	DN 80		24V DC	50 VA	185 VA		56	80		
GCA 480			24V/50 Hz							
GCA 680			110V/50-60 Hz	70 VA	260 VA					
GCA 880			230V/50-60 Hz							
GCA 3100	DN 100		24V DC	40 VA	130 VA		90	137		
GCA 4100			24V/50 Hz	35 VA	120 VA					
GCA 6100			110V/50-60 Hz						70 VA	270 VA
GCA 8100			230V/50-60 Hz							
GCA 3152	DN 125		24V DC	40 VA	130 VA		180	255		
GCA 4125			24V/50 Hz	35 VA	120 VA					
GCA 6125			110V/50-60 Hz						70 VA	270 VA
GCA 8125			230V/50-60 Hz							
GCA 3150	DN 150	24V DC	40 VA	130 VA	180	255				
GCA 4150		24V/50 Hz	35 VA	120 VA						
GCA 6150		110V/50-60 Hz					70 VA	270 VA		
GCA 8150		230V/50-60 Hz								
GCA 3200C	DN 200	PN 16 or ANSI 150	24V DC	-	83 VA / 16 VA*	380	550	~20 ON = 30s OFF = 150s	-	
GCA 4200C			24V/50 Hz		75 VA / 16 VA*					
GCA 6200C			110V/50-60 Hz		53 VA / 14 VA*					
GCA 8200C			230V/50-60 Hz		66 VA / 19 VA*					
GCA 3250C	DN 250		24V DC	83 VA / 16 VA*	570	950				
GCA 4250C			24V/50 Hz	75 VA / 16 VA*						
GCA 6250C			110V/50-60 Hz	53 VA / 14 VA*						
GCA 8250C			230V/50-60 Hz	66 VA / 19 VA*						
GCA 3300C	DN 300		24V DC	100 VA / 33 VA*	900	1400				
GCA 4300C			24V/50 Hz	96 VA / 33 VA*						
GCA 6300C			110V/50-60 Hz	70 VA / 30 VA*						
GCA 8300C			230V/50-60 Hz	84 VA / 38 VA*						

* "VA on PTO" / "VA at full speed"